

# RADIANTE 7003V INSTALLATION & USER MANUAL



WARMTH FROM FRANCE BY WIGNELLS OF MELBOURNE

*The Original Home Of Cheminées Philippe Australia since 1982*

**CHEMINÉES**  
**PHILIPPE**  
A U S T R A L I A

*“We no longer build fireplaces for physical warmth,  
we build them for the warmth of the soul, we build  
them to dream by, to hope by, to home by”  
- Edna Ferber 1885-1968*

*We thank and appreciate your trust in welcoming our Cheminées Philippe Radiante 700 3V into your space. Living with a Cheminées Philippe is truly a most satisfying and memorably rewarding experience. You have now joined the family of thousands of proud owners of the most beautifully hand crafted fireplaces in the world.*

*For over six decades Cheminées Philippe have been synonymously known for their quality French design appeal and admirably, their hand made technique. Manufactured in their cast iron foundry located in the Pas-de-Calais region of France, they adhere to strict European requirements, as well as being tested and certified to Australian emissions, efficiency and safety standards.*

*Please take a moment to read over this manual, including our operations and maintenance guide to ensure you get the best performance and enjoyment from your new fireplace.*

*We would love to hear your feedback and see some beautiful imagery of your own unique Cheminées Philippe fireplace creation. If you would like to help inspire us and others along their fireplace design journey, please send a photo of your Philippe to [media@wignells.com.au](mailto:media@wignells.com.au)*

*Wishing you many wonderful years of fireside enjoyment,*

*Warmest regards,*

*Rick Wignell  
Director of Cheminées Philippe Australia*

**CHEMINÉES PHILIPPE POÊLES  
CUISINES**



<b>1. PREFACE</b>	
1.1 NOTICE	04
1.2 GENERAL SAFETY INFORMATION	05
1.3 PRE-INSTALLATION GUIDELINES	06
1.4 GENERAL FLUE REQUIREMENTS	07
1.5 SUITABLE BASE & HEARTH MATERIALS	08
<b>2. UNIT DIMENSIONS &amp; SPECIFICATIONS</b>	
2.1 CHEMINÉES PHILIPPE RADIANTE 700 3V	10
<b>3. FREESTANDING</b>	
3.1 STEP BY STEP INSTALL GUIDE	12
3.2 BASE & HEARTH DIMENSIONS	13
3.3 FREESTANDING CLEARANCES	14 & 15
3.4 SKAMOTEC WALL GUIDELINES	16
3.5 SKAMTOEC WALL VENTILATION	17
3.6 FLUE COMPONENTS OVERVIEW	18
3.7 FLUE SYSTEM CONFIGURATIONS	19
<b>4. INBUILT</b>	
4.1 STEP BY STEP INSTALL GUIDE	22
4.2 BASE, HEARTH & MANTEL SHELF DIMENSIONS	23
4.3 INBUILT CAVITY DIMENSIONS	24
4.4 DEFLECTOR PLATE & GRILLS	25
4.5 FLUE COMPONENTS OVERVIEW	26
<b>5. MECHANISMS &amp; UNIT ASSEMBLY</b>	
5.1 MECHANISM GUIDE	28
5.2 ASSEMBLY	28-32
<b>6. OPERATION</b>	
6.1 BEFORE FIRST IGNITION	34
6.2 RECOMMENDED FIRE WOOD	35
6.3 HOW TO LIGHT & BURN SAFELY	36 & 37
6.4 WARNINGS LABELS	38
<b>7. MAINTENANCE</b>	
7.1 SERVICING GUIDE	40
7.2 TROUBLE SHOOTING	41
7.3 SPARE PARTS	42
<b>8. WARRANTY</b>	
8.1 WARRANTY POLICY & EXTENDED WARRANTY	44
8.2 INSTALLER CHECKLIST FORM	45

\*Please keep these instructions for future reference.

**DOCUMENT REVISION 02**

This document is valid for Australia & New Zealand as of June 9th 2022 for the installation, operation and maintenance of the *Cheminées Philippe Radiante 700 3V* wood fireplace.

**DISCLAIMER**

*Cheminées Philippe Australia & Wignells of Melbourne* bears no liability for installations that do not meet the criteria outlined in this manual, alongside the requirements of Australian & New Zealand Standards AS/NZS 2918:2018. The installation techniques, handling and use of the product are beyond our control. Therefore, *Cheminées Philippe Australia & Wignells of Melbourne* assumes no responsibility for loss, damage or expense resulting from improper installation, operation or misuse. In line with our commitment for continuous improvement, technical parameters are subject to change and we reserve the right to alter the contents of this manual at any time. For the latest version of this manual please visit, [www.chemphilaust.com.au](http://www.chemphilaust.com.au)

## MUST READ PRIOR TO COMMENCING

Please read through this manual carefully prior to installing or using this fireplace. Each of our fireplaces should be installed in accordance with AS/NZS 2918:2018, the appropriate requirements of the relevant building codes and this manual. All units **MUST** be installed by a fully licensed and qualified trades professional who is registered and/or licensed in mechanical services with a class also restricted to solid fuel heaters (or equivalent in selected states and territories).

**WARRANTY:** The warranty of this fireplace is only valid if the unit has been installed as per the above requirements and the installer checklist has been completed (page 45 of this manual). An extended warranty period can also be granted, please see page 44 of this manual for further details on how to apply for an extended warranty.

**CUSTOM INSTALLATIONS:** Contact us for approval of any deviation from this document prior to proceeding. In the event that an installation is undertaken without following this installation manual or without written approval by *Cheminées Philippe Australia*, then the sole responsibility of any adverse outcomes lies with the installer and the unit will be null and void of all warranties.

**WARNING: THE APPLIANCE AND FLUE SYSTEM SHOULD BE INSTALLED IN ACCORDANCE WITH AS/NZS 2918:2018 AND THE APPROPRIATE REQUIREMENTS OF THE RELEVANT BUILDING CODE OR CODES.**

**WARNING: APPLIANCES INSTALLED IN ACCORDANCE WITH AS/NZS 2918:2018 SHOULD CONFORM TO THE REQUIREMENTS OF AS/NZS 4013 AND AS/NZS 4012 WHERE REQUIRED BY THE REGULATORY AUTHORITY, THAT IS. THE APPLIANCE SHOULD BE IDENTIFIABLE BY A CONFORMANCE PLATE WITH THE MARKING 'TESTED TO AS/NZS 4013 AND AS/NZS 4012' AS SPECIFIED IN AS/NZS 4012.**

**ANY MODIFICATION OF THE APPLIANCE THAT HAS NOT BEEN APPROVED IN WRITING BY THE TESTING AUTHORITY IS CONSIDERED TO BE IN BREACH OF THE APPROVAL GRANTED FOR CONFORMANCE TO AS/NZS 4013.**

CAUTION: MIXING OF APPLIANCE OR FLUE SYSTEM COMPONENTS FROM DIFFERENT SOURCES OR MODIFYING THE DIMENSIONAL SPECIFICATION OF COMPONENTS MAY RESULT IN HAZARDOUS CONDITIONS. WHERE SUCH ACTION IS CONSIDERED THE MANUFACTURER SHOULD BE CONSULTED IN THE FIRST INSTANCE.

CAUTION: CRACKED AND BROKEN COMPONENTS, FOR EXAMPLE GLASS PANELS, CAST IRON OR CERAMIC TILES, MAY RENDER THE INSTALLATION UNSAFE.

## PREPARATION OF THE FIREPLACE

---

- » Before installing this fireplace thoroughly assess the packaging and it's contents (including the unit, flue components, grates, baffle plates, ceiling ring, etc) to ensure all items are accounted for and that any damage or defects caused by transport/handling are immediately reported to your authorised *Cheminées Philippe* dealer
- » Check the installation site in advance and remove all flammable materials or those which have the potential to be damaged by heat from the area where the fireplace will be installed. All combustible material should be replaced and/or shielded with non-combustible material or maintain a safe clearance as per pages 12-19 of this manual if installed freestanding or 22-26 if installed inbuilt
- » Ensure the correct base underneath the fireplace is used including the minimum size and thickness, refer to page 8 for a list of recommended base materials. Check that the floor is capable of safely bearing the weight and if necessary put in a weight distribution plate or take other necessary measures
- » Due to the weight of each fireplace care must be taken when maneuvering the unit. We strongly recommend mechanical equipment, as well as multiple professionals aiding with moving the unit into it's intended location
- » Familiarise yourself with section 5. *Mechanisms & Unit Assembly* in this manual prior to proceeding. Due to the size of some units, the gather, lift door mechanisms, and/or dampers will need to be installed prior to the installation of the flue system. Please also refer to this section for the final fitting of the backplate, baffle plate, ash retainer and grates
- » When installing the unit inbuilt, ventilation grills are required at the top and bottom of the cavity to assist in natural convection and for the release of heated air into the room. Refer to pages 24-26 for minimum sizes and placement of grilles
- » When installing the fireplace inbuilt, an inspection hatch or trap door is recommended. This will allow for easy access to the unit when performing any necessary inspection, maintenance and/or repairs
- » Do **NOT** use combustible material (including Gyprock Fyrecheck OR a timber frame) within the non-combustible zones
- » **WALL FINISHES:** It is the responsibility of the purchaser and installer to ensure that all finishes (including but not limited to, render, paint, tiles, stone, etc) near and around the fireplace have the capacity to withstand high temperatures. *Cheminées Philippe Australia and Wignells of Melbourne* cannot be held liable for thermal expansion cracking, blistering or damage of any finishing materials

### **BALANCING AIR PRESSURE: TIGHTLY SEALED HOMES, MECHANICAL FANS & DOWNDRAFT**

All fireplaces require constant air flow when in use, however due to the tightly sealed nature of certain homes it may prove difficult to achieve a continuous replenishment of fresh air for the fire to burn effectively. Mechanical fans (including range hoods, ceiling fans, return air vents including AC ducts, and overhead extractor fans) which are located within the same space as the fireplace, can also create negative pressure and compromise the operation of the unit.

If this occurs, the introduction of fresh air is recommended. This could take the form of a vent installed on an external wall where the fireplace will be situated. Depending on the installation type, it should either be placed directly inside the inbuilt fireplace cavity or as near to the freestanding fireplace as possible. The surface area of this air intake should be a minimum of 360cm<sup>2</sup> (for example a vent 400mm x 90mm in size).

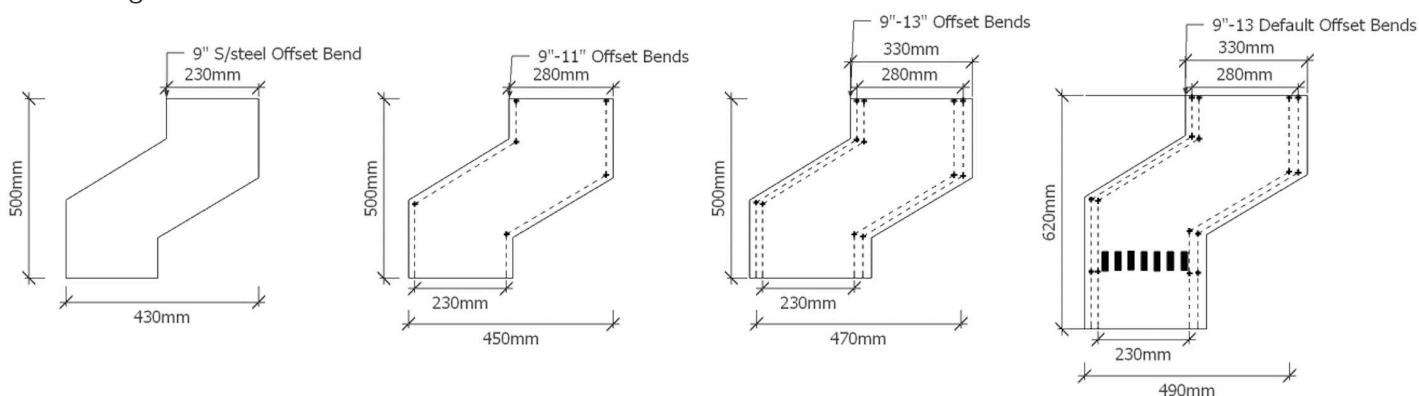
Termination of the flue in a high pressure zone such as on the downstream side of a nearby obstruction to airflow. For example; trees, hills, adjacent buildings or parts of the building where the unit is installed may also prove to cause downdraught conditions (AS/NZS 2918:2018 extract), in this case refer to page 41.

## FLUE SYSTEM

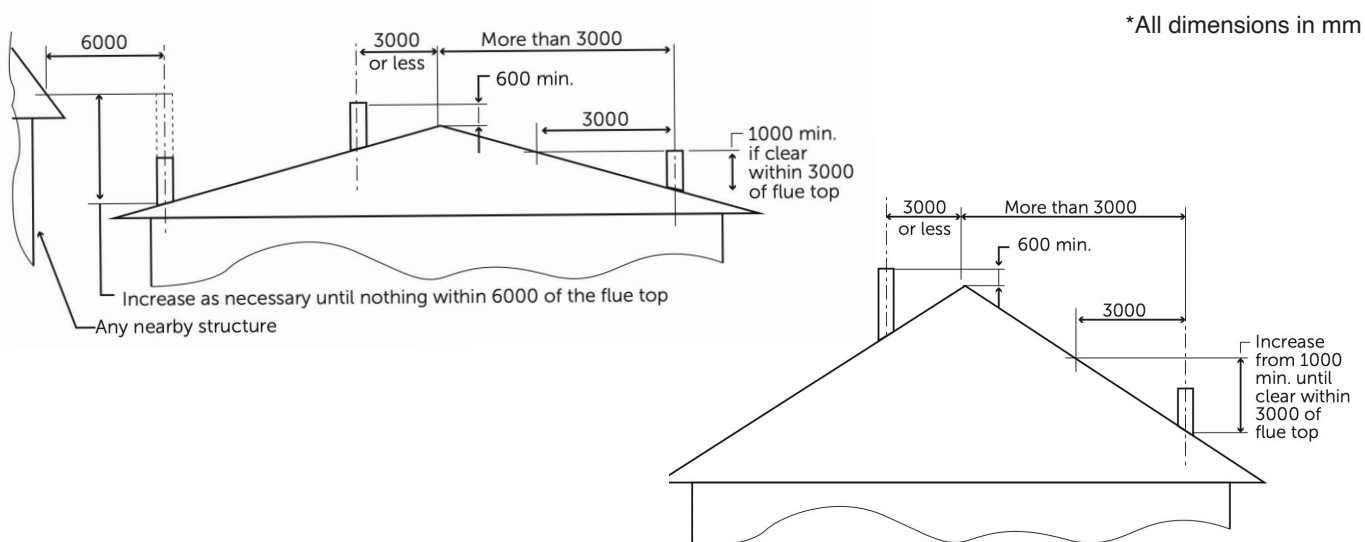
- » Only an approved *Cheminées Philippe* flue kit should be installed with this fireplace
- » Mixing flue system components and/or modifying the dimensional specification of the flue and cowl is NOT recommended, unless approved by *Cheminées Philippe Australia*
- » A **minimum 4.5 metres** of flue is required from the top of the fireplace gather to the cowl
- » A minimum 920mm clearance is to be maintained around the single skin flue to any combustible surface
- » A minimum 285mm clearance around the double skin flue is to be maintained from the outer casing to any combustible surface
- » A minimum 50mm clearance around the triple skin flue is to be maintained from the outer casing to any combustible surface

## FLUE BENDS

- » Do **NOT** install bends directly on top of the fireplace gather. A minimum 900mm length of flue must be installed first before the first bend is positioned
- » No more than 2 x 45 degree bends are allowed. The length of flue between the bends must not exceed 1800mm. Additional vertical flue maybe required to assist with adequate draw.
- » 90 degree bends are **NOT** to be used



## MINIMUM EXTERNAL FLUE HEIGHTS & COWL CLEARANCES - AS PER AS/NZS 2918:2018



## RECOMMENDED FIREPLACE BASE

---

- » A minimum 150mm hebel blocks, masonry or clay bricks
- » A steel bench with any of the above materials installed beneath it
- » A minimum 100mm SOLID and supported concrete plinth (without glass, resins or polymer) raised a minimum 200mm above the hearth. A minimum 100mm airgap must be maintained between the underside of the concrete plinth and the any combustible surface
- » A minimum 1350mm wide x 350mm high *Cheminées Philippe* steel bench. The bench has a 320mm forward projection in front of the fuel loading door. The bench can also be placed directly onto a combustible floor without any floor protection
- » *For minimum base size refer to page 13 for freestanding or 23 for inbuilt application*

**UNIT LEVELING:** Depending on the type of base used underneath the fireplace, it may be necessary to level and stabilise the unit by using packers underneath for additional support. We recommend using a strip of lead sheet folded over three times.

## RECOMMENDED FIREPLACE HEARTH (FLOOR PROTECTION)

---

- » Minimum 27mm thick cement sheet is required or a composition of masonry materials at this thickness or greater.
- » *For minimum hearth size refer to page 13 for freestanding or 23 for inbuilt application*

**IMPORTANT:** Please note that *Cheminées Philippe Australia* and *Wignells of Melbourne* can not be held liable for any thermal expansion cracking of the materials listed above OR for any other type of masonry material (including tiles and stone) used for the fireplace base and hearth.

The purchaser should check with the base and hearth supplier that the material being used underneath and in front of the fireplace is suitable for extreme heat. The base and hearth should be a heat resistant material with an allowable surface temperature of 600°C degrees or greater.

All fireplace base and hearth materials mentioned above are recommended for their thermal properties only. It is the responsibility of the purchaser and the installer to ensure that any material used has the structural integrity to evenly support the fireplace weight (refer to page 10) and flue componentry.

## DO NOT USE

---

- » Engineered or composite stone
- » Skamotec board as the fireplace base
- » Thin pre-cast concrete
- » Timber or any combustible material
- » Glass



## 2. UNIT DIMENSIONS & SPECIFICATIONS

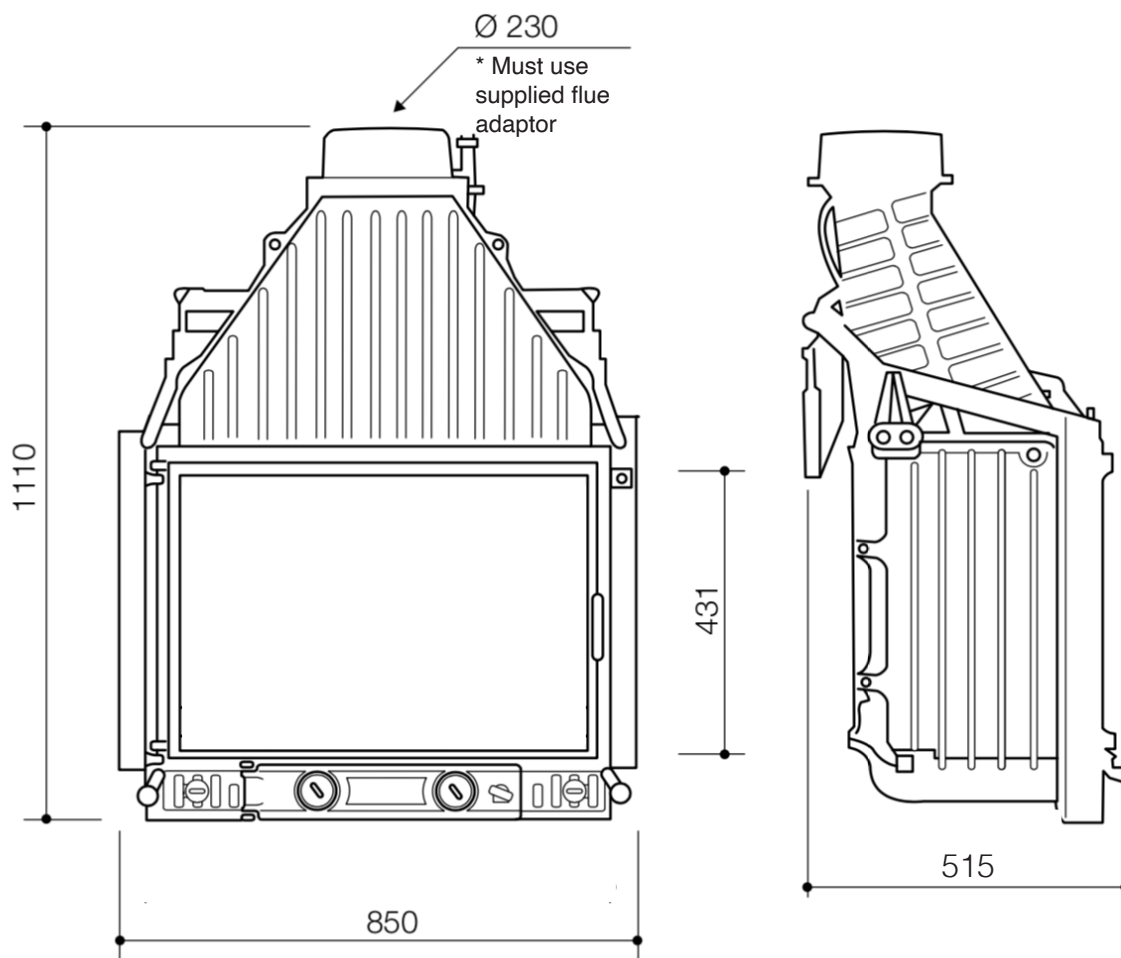
### 2.1 CHEMINÉES PHILIPPE RADIANTE 700 3V

10

#### **PLEASE NOTE:**

Due to the handmade nature of our fireplaces there maybe a slight variance factor of 1-2mm across all unit dimensions and .5kg in unit weight.

UNIT SPECIFICATIONS & DIMENSIONS



HEATING CAPACITY	Up to 300sqm*
MAXIMUM AVG. HEAT OUTPUT	17.2kW
FIREBOX MATERIAL	Cast Iron
LOG LENGTH	Up to 50cm
FLUE SIZE*	9", 11" & 13"
RECOMMENDED MINIMUM FLUE HEIGHT	4.5m Metres (From top of spigot)
FIREBOX WEIGHT	254kg
OVERALL AVG. EFFICIENCY	63%
PARTICULATE EMISSIONS FACTOR	0.9g/kg
TEST REPORTS	ASFT18088-1 ASFT20047-1 & 48-1
CERTIFICATE OF COMPLIANCE	#ASFT20C031

\*Heating output varies depending upon ceiling height, fuel used, building insulation, geographical zone and atmospheric conditions. This unit has been tested and complies with Australian & New Zealand standards AS/NZS 4012 (2014), AS/NZS 4013 (2014) & AS/NZS2918 (2018), and is recommended to be used with hardwood only.

### **3. FREESTANDING**

3.1 STEP BY STEP INSTALL GUIDE	12
3.2 BASE & HEARTH DIMENSIONS	13
3.3 FREESTANDING CLEARANCES	14-15
3.4 SKAMOTEC WALL GUIDELINES	16
3.5 SKAMTOEC WALL VENTILATION	17
3.6 FLUE COMPONENTS OVERVIEW	18
3.7 FLUE SYSTEM CONFIGURATIONS	19

#### **PLEASE NOTE:**

All diagrams in this manual are for illustration purposes only, DO NOT scale from any of these diagrams. All measurements are in millimetres unless otherwise stated.

**STEP 1: INSPECT THE FIREPLACE & FLUE PENETRATION THEN LAY BASE & HEARTH**

- » Inspect the area to ensure the fireplace and flue, including clearances, base and hearth, will be installed safely and conform to Australian & New Zealand Standards AS/NZS 2918:2018 and the guides in this manual relative to your type of installation
- » Lay the base and hearth, refer to pages 8 & 13 for minimum sizes and requirements
- » Additional reinforcement may need to be installed in order to support the weight as outlined on page 8

**STEP 2: INSTALL WALL PROTECTION**

- » If the wall materials are combustible and do not fall within the minimum safety clearances as listed on page 14-15, then additional wall protection must be installed
- » Protection can include materials such as Skamol Board and bricks/hebel
- » In the event that the rear base/hearth does not form an abutment with the rear wall, ensure the wall protection extends from the floor to the recommended minimum height requirement
- » When installing Skamotec please refer to pages 14-17 of this manual for minimum clearances and installation process

**STEP 3: PUT UNIT INTO POSITION & ASSEMBLE THE DAMPER SYSTEM**

- » Due to the weight of this fireplace please take care when putting the unit into position
- » It is at this stage that we highly recommend fitting the damper system (prior to fitting the flue), please refer to page 29 of this manual

**STEP 4: INSTALL THE STARTING COLLAR & FLUE**

- » The flue adaptor must be fitted into the cast iron collar of the firebox gather
- » When using a single skin flue kit, ensure the flue is installed crimped end down into the flue adaptor
- » When using a triple skin flue kit, use the starter flue section into the flue adaptor
- » Secure the flue to the adaptor using 3 stainless steel rivets evenly spaced
- » All stainless steel inner flues (including charcoal painted stainless steel flues) must be joined using stainless steel pop rivets and must be installed crimp end DOWN
- » All galvanised second and third outer casing must be installed crimp end UP
- » The minimum clearance from a single skin flue to any combustible material is 920mm
- » The minimum clearance to the outer double skin flue to any combustible material is 285mm
- » The minimum clearance to the outer triple skin flue to any combustible material is 50mm
- » Refer to page 7 flue requirements and 18 for flue components and overview

**STEP 5: TRIPLE SKIN DROPPER & COWL**

- » Install non-combustible board to the ceiling
- » The triple skin dropper box must be installed to a minimum of 150mm below the ceiling with a 50mm clearance maintained around the outer skin
- » At the termination height of the triple skin flue, the active stainless steel inner must be a maximum of 30mm higher than the middle and outer galvanised casing. The stainless steel skirt is screwed to the crimp of the outer casing. The stainless steel cowl slides into the neck of the skirt and must locate inside the active flue below. No fixing is to be done to the cowl
- » Silicone seal the groove seam on the flues outer skin, between the roof flashing and the cowl to prevent ingress of water
- » Refer to section 4.6 in AS/NZS 2918:2018 for installing flue penetrations
- » Please also use the diagram on page 7 to ensure external flue heights and cowl clearances are maintained

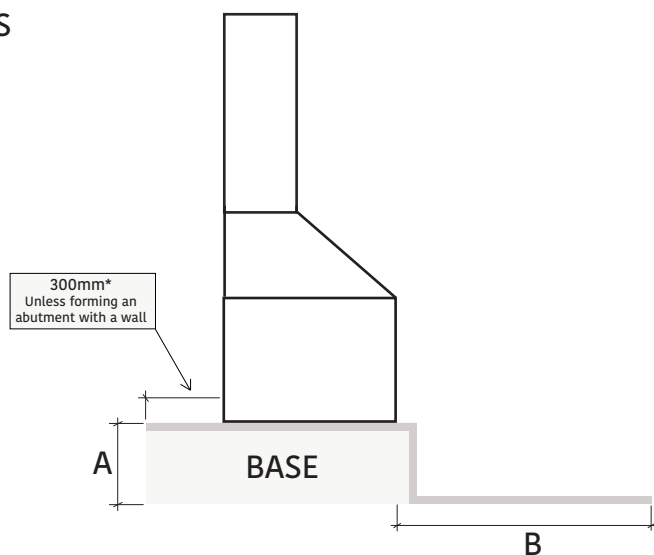
**STEP 6: FIT THE BACK PLATE, BAFFLE PLATE, ASH RETAINER, GRATES & ASH PAN**

- » Ensure the backplate is installed first, then using a log to hold the back plate into position to prevent it from falling, then install the baffle plate
- » Further instructions and assembly instructions can be viewed on pages 28-30 of this manual

**STEP 7: TEST FIRE DRAW**

- » Light a small piece of newspaper inside the firebox to test the draw of the unit and flue
- » If the draw is adequate, complete the check list on page 43 and return this as well as this entire booklet to the fireplace owner
- » If the draw is inadequate please refer to the Balancing Air Pressure section on page 6

## HEARTH REQUIREMENTS

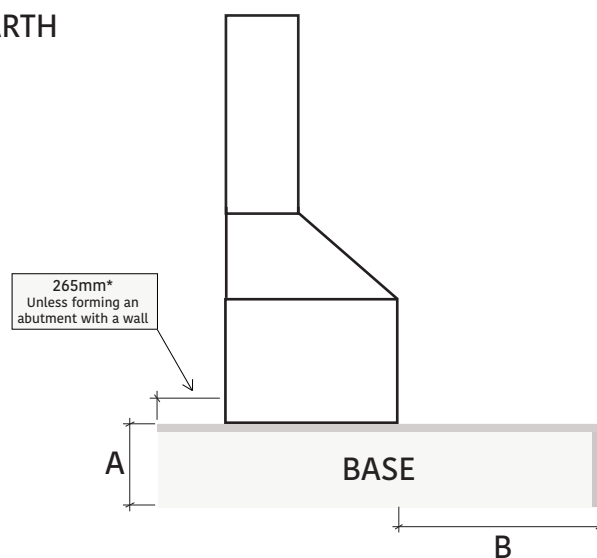


MINIMUM HEIGHT OF UNIT	A.<199mm	A.200mm	A.300mm	A.350mm	A.400mm
MINIMUM HEARTH DEPTH	B.1000mm*	B.500mm	B.425mm	B.370mm	B.300mm

**MINIMUM BASE SIZE:** WIDTH: 910mm x DEPTH: 460mm x THICKNESS: Refer to page 8\*\*  
**MINIMUM HEARTH SIZE:** WIDTH:1060mm x DEPTH: As per above(B) x THICKNESS: 27mm\*\*  
 The unit must be placed centrally in the 1060mm width hearth.

*\*When the unit is raised 199mm or less from floor level, a minimum 1000mm hearth is required in all directions unless forming an abutment with a wall, refer to page 14 -15.*

## ALTERNATIVE RAISED HEARTH



MINIMUM HEIGHT OF UNIT	A.350mm
MINIMUM HEARTH DEPTH	B.320mm*

**MINIMUM BASE SIZE:** WIDTH: 910mm x DEPTH: 460mm x THICKNESS: Refer to page 8\*\*  
**MINIMUM HEARTH SIZE:** WIDTH:1350mm x DEPTH: As per above(B) x THICKNESS: 27mm\*\*  
 The unit must be placed centrally in the 1350mm width hearth.

*\*When using the alternative raised hearth application the unit and hearth must be raised a minimum of 350mm above the floor level. The unit must also be placed centrally within the 1350mm width.*

**IMPORTANT:** Unless forming an abutment with a wall, the back and side hearth sizes **MUST NOT** be altered, please refer to page 14 & 15 for minimum sizes.\*\*For a list of recommended materials and thicknesses refer to page 8.

**NON-COMBUSTIBLE CEILING:**

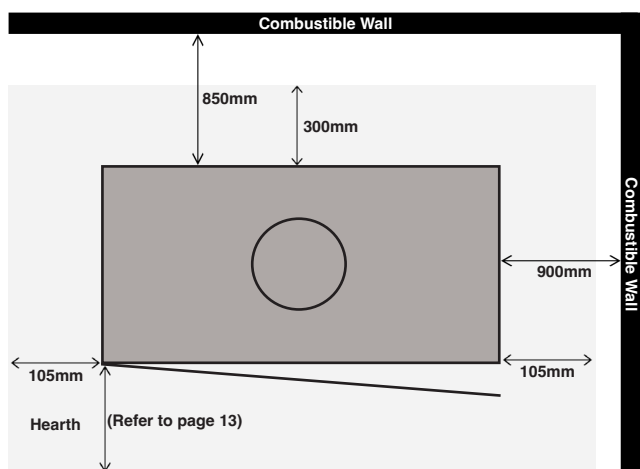
For freestanding installations where the ceiling height is less than 2.3 metres from the base of the unit, a non-combustible board must be used on the ceiling and must extend 1200mm in all directions from the flue outer casing, unless forming an abutment with a wall. This can be made of a minimum 8mm cement sheet or equivalent.

**UNIT GLASS CLEARANCE:** A minimum 1500mm from the front glass of the unit to any combustible surfaces must be maintained.

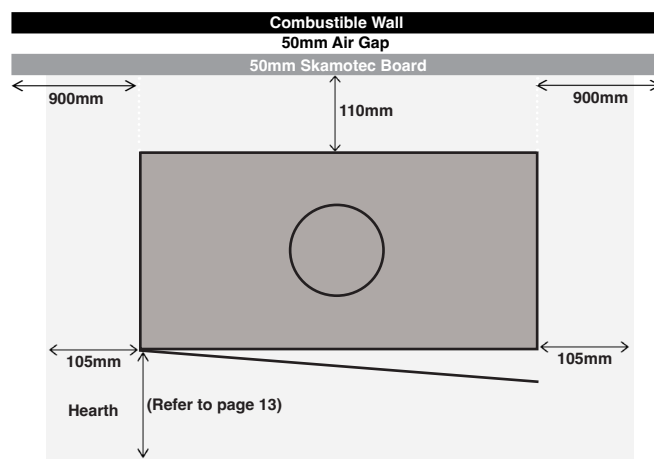
**CLEARANCES:** Mirrors, windows and all other types of glass are deemed combustible.

**IMPORTANT:** All hearth dimensions on this page refer to the unit being raised 200mm or greater above floor level when using the standard hearth requirements, refer to page 13

**CLEARANCES TO COMBUSTIBLES**

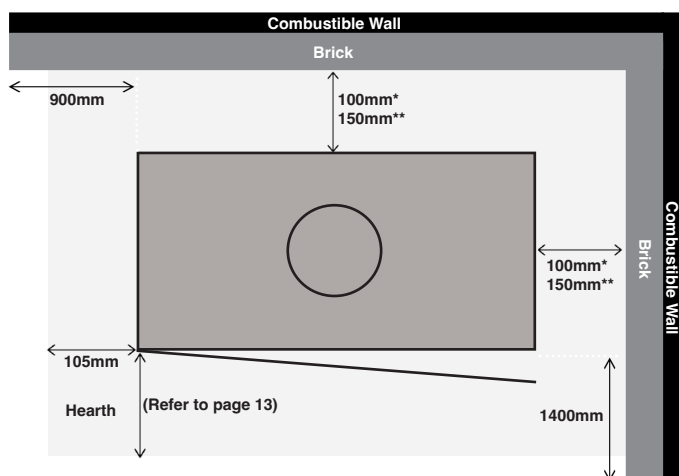


**CLEARANCES TO 50MM SKAMOL BOARD + AIR GAP**



The Skamol boards should extend all the way to the ceiling from the base. When using Skamoltec board with a 50mm air gap behind, it must also be ventilated for natural air flow circulation, (refer to page 16 & 17 for ventilation

**CLEARANCES TO SOLID 110MM BRICK**

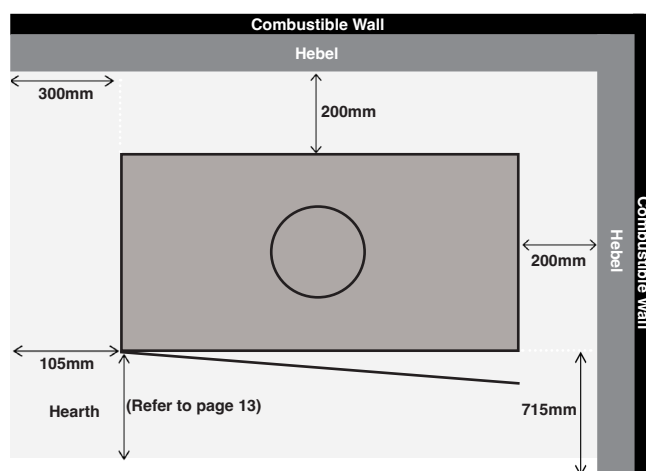


\*110 Solid Brick (with minimum 25 airgap to a combustible wall)

\*\*110 Solid Brick (applied directly to a combustible wall)

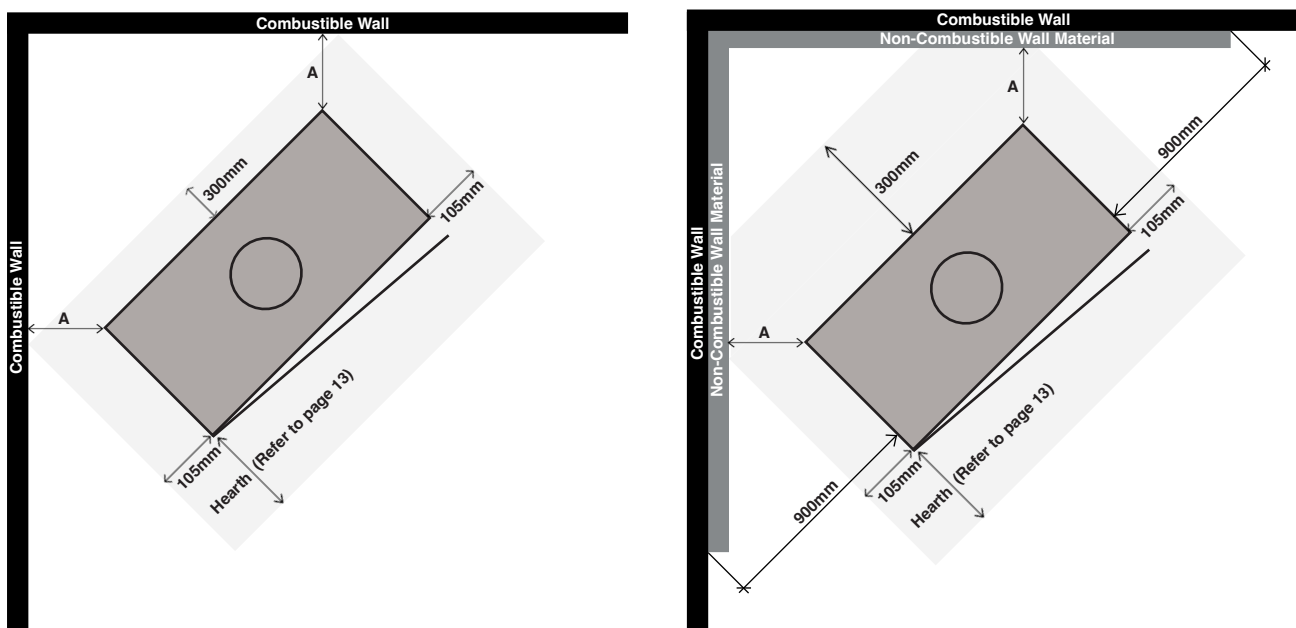
A minimum 110mm solid brick wall should extend to the ceiling from the base.

**CLEARANCES TO 75MM HEBEL POWER PANELS**



A minimum 75mm hebel power panel wall should extend to a minimum height of 1350mm from the base and 1450mm wide when using a double skin flue kit OR all the way to the ceiling when using a single skin flue kit (refer to page 18).

## CORNER CLEARANCES



**IMPORTANT:** All hearth dimensions on this page refer to the unit being raised 200mm or greater above floor level, refer to page 13

WALL MATERIAL	A
COMBUSTIBLE WALL	850mm
50MM SKAMOTEC BOARD + 50MM AIR GAP	110mm
110MM SOLID BRICK (applied directly to combustible wall)	150mm
110MM SOLID BRICK + 25MM AIR GAP	100mm
75MM HEBEL POWER PANEL (applied directly to combustible wall)	200mm

**IMPORTANT:****IMPORTANT:**

When the unit is positioned on a 45 degree angle into a corner the non-combustible side wall material must extend from the internal corner to a minimum 900mm from the side of the unit.

**WALL MATERIAL REQUIREMENTS****SKAMOTEC**

The Skamol boards should extend all the way to the ceiling from the base. When using Skamotec board with a 50mm air gap behind, it must also be ventilated for natural air flow circulation, (refer to page 16 & 17 for ventilation requirements).

**SOLID 110MM BRICK**

A minimum 110mm solid brick wall should extend to the ceiling from the base.

**75MM HEBEL POWER PANEL**

A minimum 75mm hebel power panel wall should extend to a minimum height of 1350mm from the base when using a double skin flue kit OR all the way to the ceiling when using a single skin flue kit (refer to page 18).

## SKAMOTEC 225

Also known as “Skamol” board, Skamotec is a lightweight non-combustible board that simplifies the construction process to one building material, therefore eliminating the need for a steel or brick frame construction. It is intended for interior, non-load bearing wall applications and has a maximum service temperature of 1000 degrees celsius

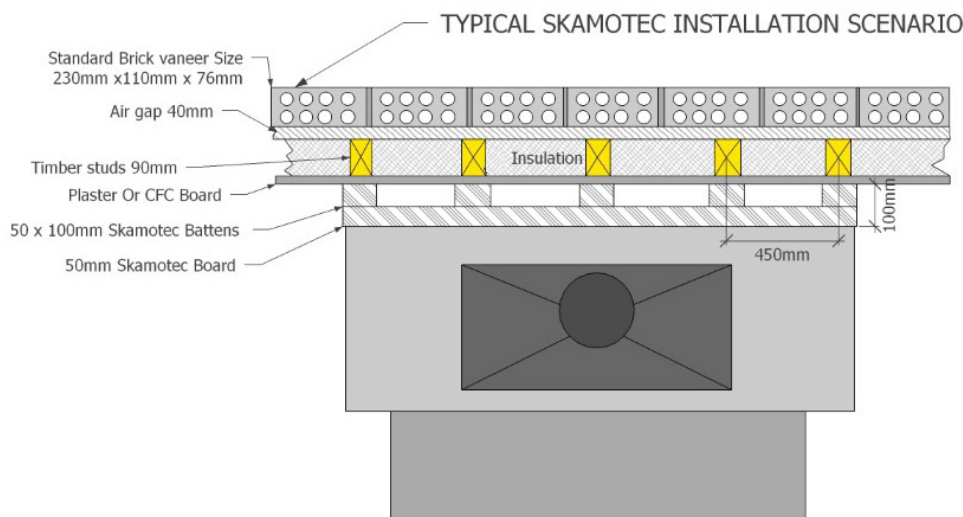
### RECOMMENDED FIXING OF SKAMOTEC BOARDS & BATTENS

- » Materials required include construction screws and Skamotec adhesive glue. Please refer to the Skamotec Installers Guide for a comprehensive list of materials, as well as the assembly instructions
- » It is recommended that the 50mm thick Skamotec battens are spaced to a maximum of 450mm centres, be a minimum 100mm wide and are placed vertically behind the board as illustrated below
- » When using 100mm x 50mm Skamotec battens behind the Skamotec board, the cavity must be either ventilated at the top and bottom by using a minimum 25mm air gap that must extend the full width of the board, or alternatively using metal vents (vermin proof if on an external wall) a minimum surface area of 720cm<sup>2</sup> or 2 x 360cm<sup>2</sup> at the top and bottom (as illustrated on page 17) can be used
- » Please ensure Skamotec sheets are laid horizontally across the entire width of the fireplace with no vertical joints
- » All corner and panel joints shall be attached using Skamotec mortar cement or construction adhesive
- » Do not fasten any part of the Skamotec board to the fireplace

### SKAMOTEC FINISH

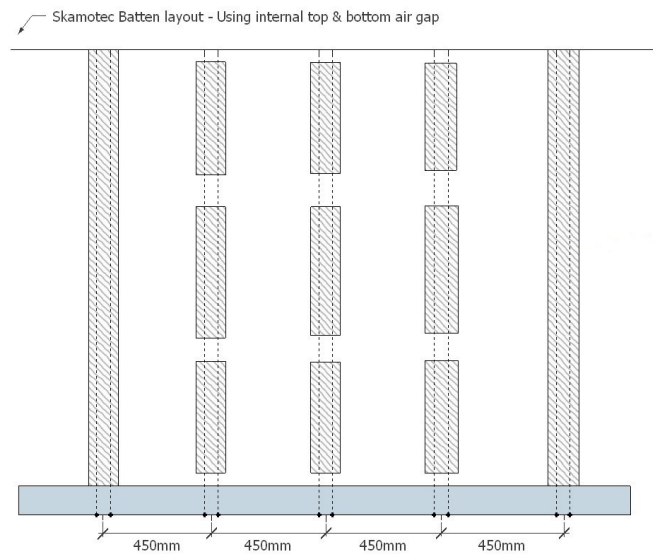
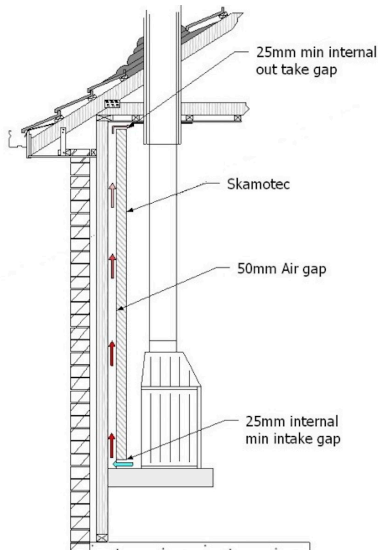
- » When applying any adhesive, mortar cement, drywall compound, paint, skim-coat or a scratch coat, all joining surfaces must be cleaned and moistened with water beforehand (Skamotec branded products are recommended). This will prevent these products from drying out too quickly & adhering incorrectly. A painted finish, stone or tile material can be used to finish the Skamotec surface. For a comprehensive Skamotec install and finish, please only refer to the Skamotec 225 Installers Guide

### SKAMOTEC COMPOSITION - PLAN VIEW



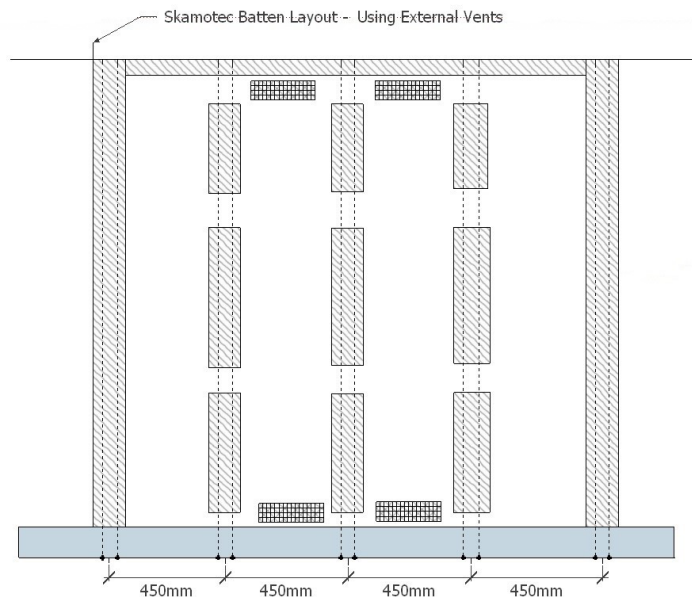
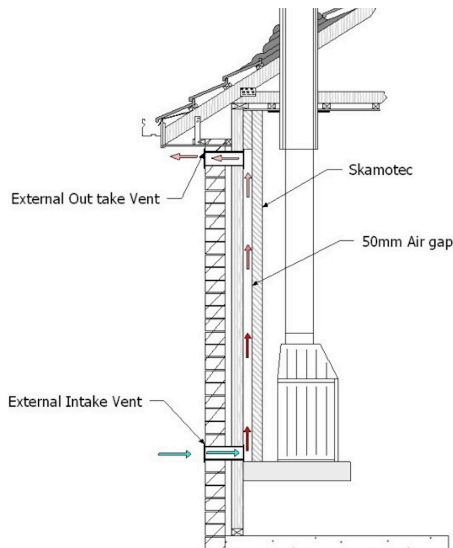


**OPTION A: 25MM TOP & BOTTOM AIR GAP**

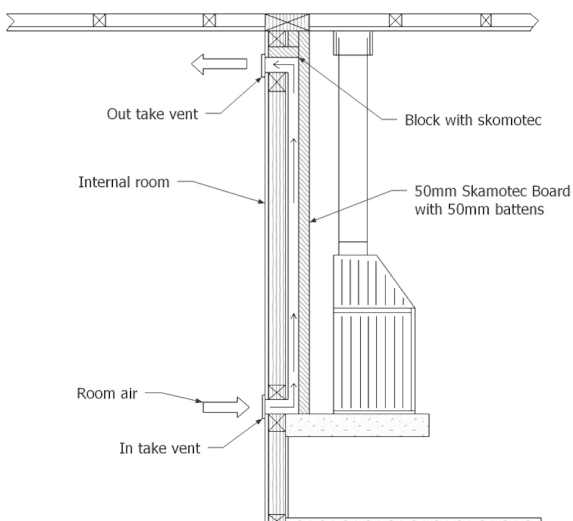


The 25mm top and bottom air gap must extend the full width of the Skamotec cavity and can be left open to create a shadow line effect, or alternatively can be faced with a metal grill/vent

**OPTION B: CONCEALED EXTERNAL VENTS**



**OPTION C: CONCEALED INTERNAL VENTS**



The minimum concealed surface area of vent is one 720cm<sup>2</sup> top (9cm x 80cm) at the top and bottom or 2 x 360cm<sup>2</sup> (9cm x 40cm) top and bottom as illustrated

## MINIMUM FREESTANDING FLUE KIT COMPONENTS

### 4.5 METRE 9" SINGLE SKIN FLUE KIT



- 1 9" Flue Adaptor\* (Painted)
- 2 2 x 9" Single Skin Flue 900mm\* (Painted)
- 3 9"-11"-13" Default Triple Skin Flue 900mm\* (Painted)
- 4 2 x 9"-11"-13" Triple Skin Flue 900mm\*
- 5 13" Split Ring (Painted)
- 6 9"-13" Cover Cone
- 7 9" Anti Down Draught Cowl

### 4.5 METRE 9" DOUBLE SKIN FLUE KIT

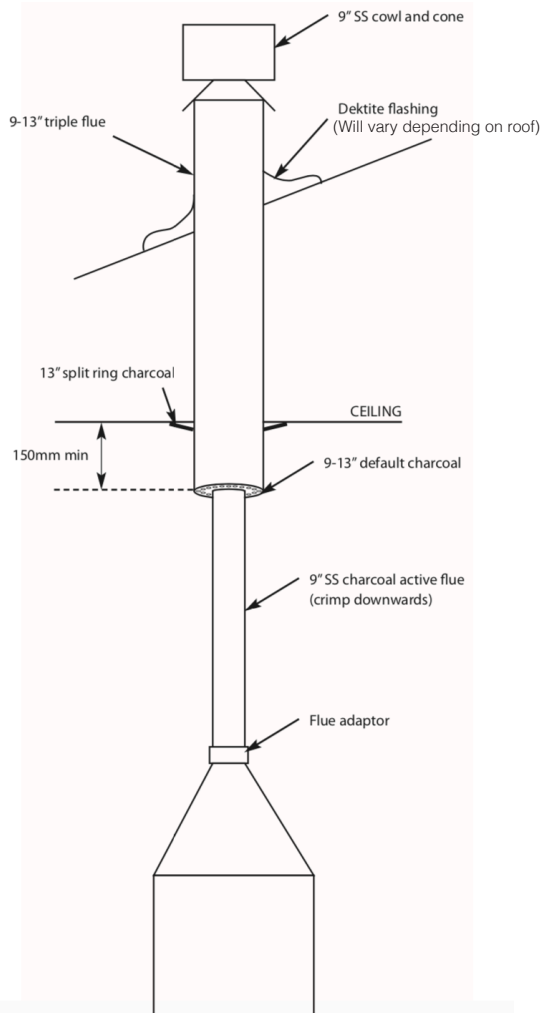


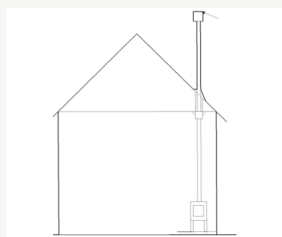
- 1 9" Flue Adaptor\* (Painted)
- 2 2 x 9"-11" Double Skin Flue 900mm\* (Painted)
- 3 9"-11"-13" Default Triple Skin Flue 900mm\* (Painted)
- 4 2 x 9"-11"-13" Triple Skin Flue 900mm\*
- 5 13" Split Ring (Painted)
- 6 9"-13" Cover Cone
- 7 9" Anti Down Draught Cowl

\*All internal 9" flue must be stainless steel

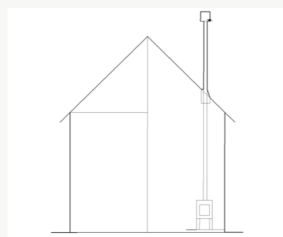
### FREESTANDING INSTALL OVERVIEW\*

\*SINGLE SKIN FLUE KIT ILLUSTRATION

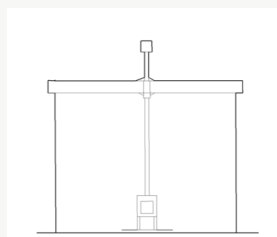




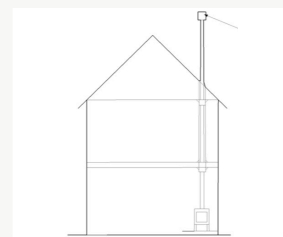
**1.** Flat ceiling with roof space



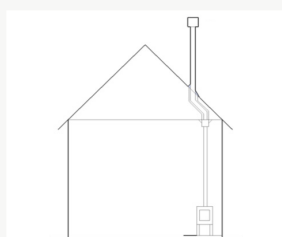
**2.** Cathedral ceiling



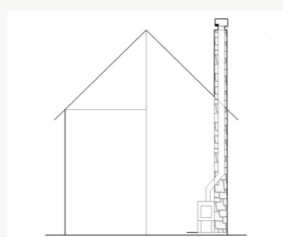
**3.** Flat ceiling & flat roof



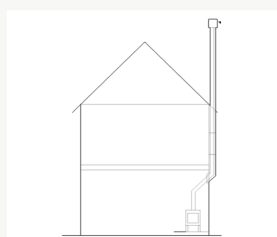
**4.** Multi floor with flat ceiling and roof space



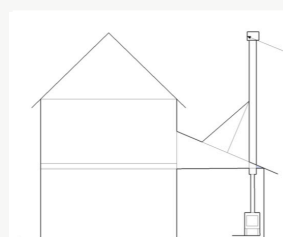
**5.** Flat ceiling with roof space and offset



**6.** Freestanding with chimney & offset



**7.** External wall penetration



**8.** Double storey with single storey penetration

Some of these flue scenarios may require additional flue components other than those listed on page 18

## NOTES

---

<b>4. INBUILT</b>	
4.1 STEP BY STEP INSTALL GUIDE	22
4.2 BASE, HEARTH & MANTEL SHELF DIMENSIONS	23
4.3 INBUILT CAVITY DIMENSIONS	24
4.4 DEFLECTOR PLATE & GRILLS	25
4.5 FLUE COMPONENTS OVERVIEW	26

**PLEASE NOTE:**

All diagrams in this manual are for illustration purposes only, DO NOT scale from any of these diagrams. All measurements are in millimetres unless otherwise stated.

**STEP 1: INSPECT THE FIREPLACE & FLUE PENETRATION THEN LAY BASE & HEARTH**

- » Inspect the area to ensure the fireplace and flue, including clearances, base and hearth, will be installed safely and conform to Australian & New Zealand Standards AS/NZS 2918:2018 and the guides in this manual relative to your type of installation
- » Lay the base and hearth, refer to pages 8, 23 & 24 for minimum sizes and requirements
- » Additional reinforcement may need to be installed in order to support the weight as outlined on page 8

**STEP 2: INSTALL BACK & SIDE WALLS**

- » Ensure the back and side wall are installed using materials such as Skamol Board, bricks or hebel, refer to page 24
- » Ensure provisions are made for the bottom air inlets and top air outlet on the cavity, please refer to page 24-25 for minimum sizing, metal vents are to be used

**STEP 3: PUT UNIT IN POSITION & ASSEMBLE THE DAMPER SYSTEM**

- » Due to the weight of this fireplace please take care when putting the unit into position
- » It is at this stage that we highly recommend fitting the damper system (prior to fitting the flue), please refer to page 27 of this manual

**STEP 4: INSTALL THE STARTING COLLAR, FLUE & DEFLECTOR PLATE**

- » The flue adaptor must be fitted into the cast iron collar of the firebox gasket
- » Drill through adaptor and secure using 3 stainless steel screws evenly spaced
- » All stainless steel inner flues must be joined using stainless steel pop rivets and must be installed crimp end DOWN
- » Determine the height of deflector plate. Cut the starter flue to support the deflector plate at the desired height, refer to page 24 for more details
- » Install the deflector plate on the top of the starter flue gussets
- » Place rockwool blanket (aluminium side down) on top of the deflector plate ensuring complete coverage. Ensure the rockwool blanket is installed firmly to the inner sides of the enclosure and around the triple skin flue. Ensure the slots of the starter triple are approx 100mm above the top of the rockwool
- » The starter triple (with slots and cap) is then placed on top of the deflector plate
- » All galvanised second and third skins must be installed crimp end UP
- » Pick up weight of outer casing in roof space. The weight of the casing must not be supported by the gussets alone
- » Minimum clearance to triple skin flue to any combustible material is 50mm
- » At the termination height of the triple skin flue, the active stainless steel inner must be a maximum of 30mm higher than the middle and outer galvanised casing. The stainless steel skirt is screwed to the crimp of the outer casing. The stainless steel cowl slides into the neck of the skirt and must locate inside the active flue below. No fixing is to be done to the cowl
- » Silicone seal the groove seam on the flues outer skin, between the roof flashing and the cowl to prevent ingress of water
- » Refer to section 4.6 in AS/NZS 2918:2018 for installing flue penetrations
- » Please also use the diagram on page 7 to ensure external flue heights and cowl clearances are maintained, also refer to page 26 for flue components overview

**STEP 5: FINISH FACADE OF CAVITY**

- » Complete the front of the fireplace facade, ensure a minimum clearance of 10mm between the finished fireplace opening and any part of the firebox including any mesh grills attached to it

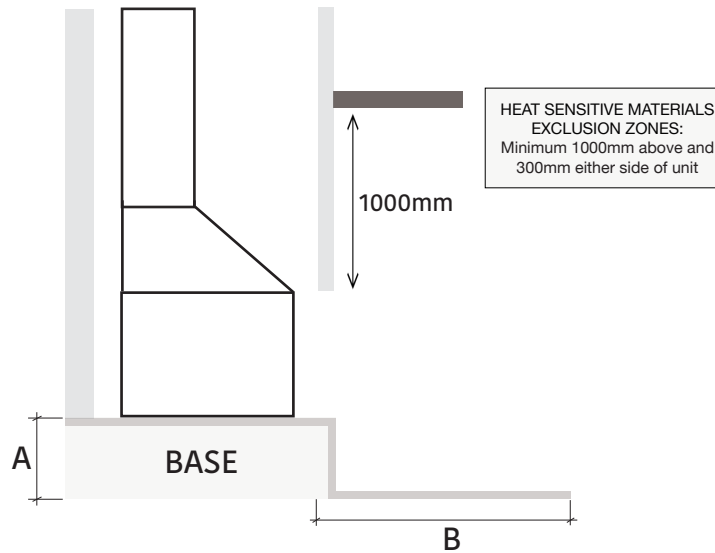
**STEP 6: FIT BACK PLATE, BAFFLE PLATE, ASH RETAINER, GRATES & ASHPAN**

- » Ensure the backplate is installed first, then using a log to hold the plate into position to keep it from falling, install the baffle plate.
- » Further instructions and assembly instructions can be viewed on pages 28-30 of this manual

**STEP 7: TEST FIRE DRAW**

- » Light a small piece of newspaper inside the firebox to test the draw of the unit and flue
- » If the draw is adequate, complete the check list on page 43 and return this as well as this entire booklet to the fireplace owner
- » If the draw is inadequate please refer to the Balancing Air Pressure section on page 6

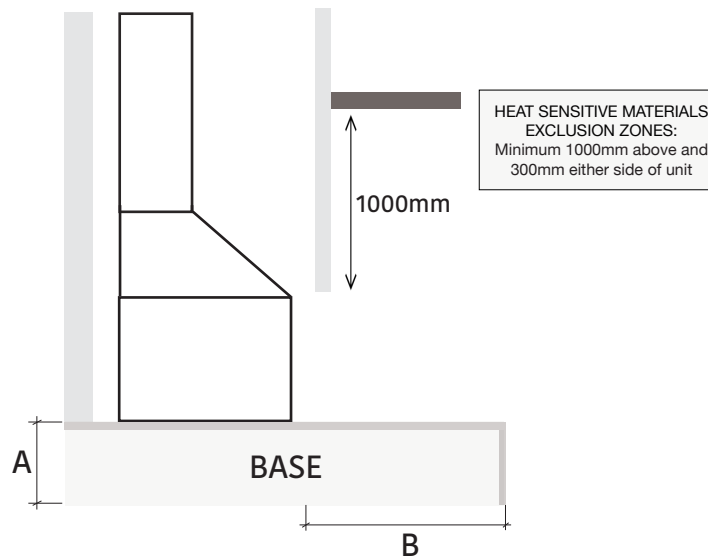
## HEARTH REQUIREMENTS



MINIMUM HEIGHT OF UNIT	A.<199mm	A.200mm	A.300mm	A.350mm	A.400mm
MINIMUM HEARTH DEPTH	B.1000mm*	B.500mm	B.425mm	B.370mm	B.300mm

\*When the unit is raised 199mm or less from floor level, a minimum 1000mm hearth is required in all directions, unless forming an abutment with a wall, refer to page 24.

## ALTERNATIVE RAISED HEARTH



MINIMUM HEIGHT OF UNIT	A.350mm
MINIMUM HEARTH DEPTH	B.320mm*

\*When using the alternative raised hearth application the unit and hearth must be raised a minimum of 350mm above the floor level.

**MINIMUM BASE SIZE: WIDTH: 910mm x DEPTH: 460mm x THICKNESS: Refer to page 8\*\***  
**MINIMUM HEARTH SIZE: WIDTH:1060mm x DEPTH: As per above(B) x THICKNESS: 27mm\*\***  
 The unit must be placed centrally in the 1060 width hearth.

Unless forming an abutment with a wall, the back and side hearth dimensions **MUST NOT** be altered, please refer to page 24 for minimum sizes.

\*\*For a list of recommended materials and thicknesses refer to page 8

**ENCLOSURE MATERIALS & CLEARANCES:**

**Brick/hebel Enclosure\*:** Use a minimum 110mm solid brick or hebel with a minimum clearance of 100mm to the back of the unit and 200mm on either side.

**Skamotec Enclosure\*\*:**

Use a minimum 50mm Skamotec board with a 50mm air gap behind (using Skamotec battens). Maintain a minimum 200mm clearance to the back of the unit and 200mm on either side.

If the Skamotec enclosure abuts a combustible side wall, allow a minimum 75mm air gap (using Skamotec battens).

**AIR INLET AND OUTLET GRILLES:**

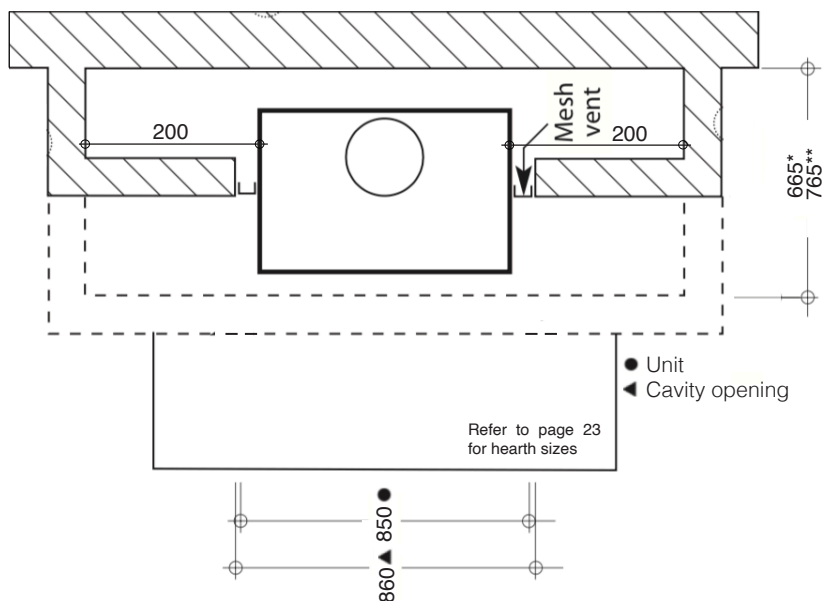
**Intake Size:** A minimum surface area of 360cm<sup>2</sup> is required for air intake on either side of the bottom of the cavity, (minimum size grilles 9cm x 40cm) and should be in line with the base of the fireplace.

**Outtake Size:** The same size on either side is required for the top air outtake on either side OR one long outtake grill can be installed at the front of the cavity (directly below the internal deflector plate) creating a minimum of 720cm<sup>2</sup> in total size (minimum size vent 9cm x 80cm)

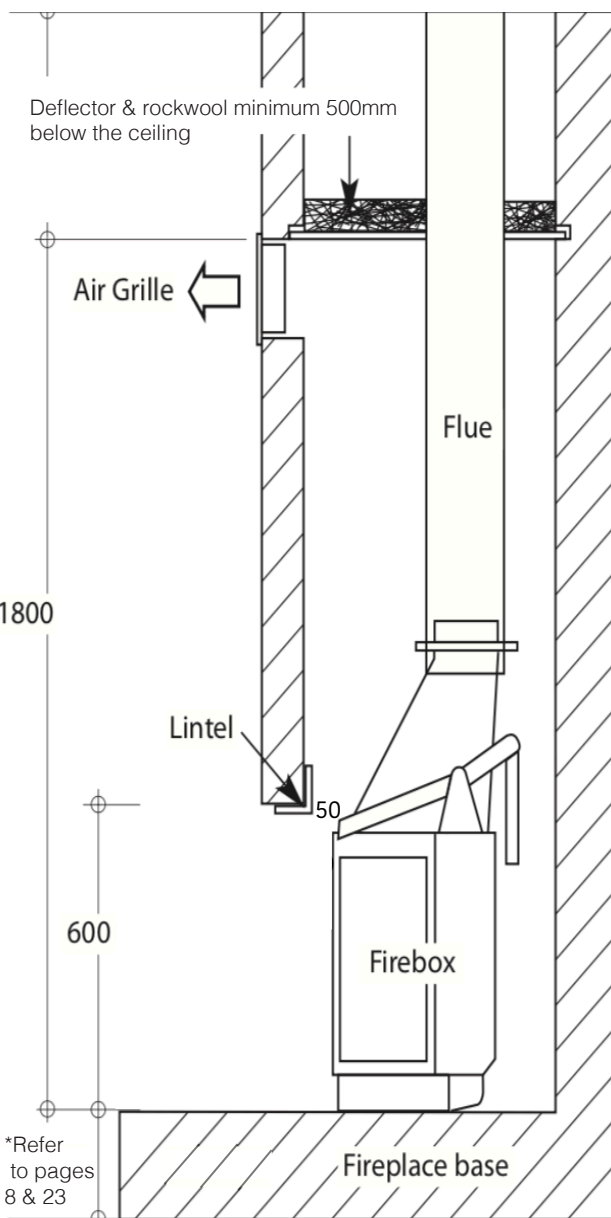
**EXISTING MASONRY CHIMNEY:**

When 200mm side clearance can't be achieved then it is recommended to use optional metal vent attachments that are fixed to either side of the unit to assist with adequate air flow. In this case, a minimum 100mm air gap on the back and sides is recommended.

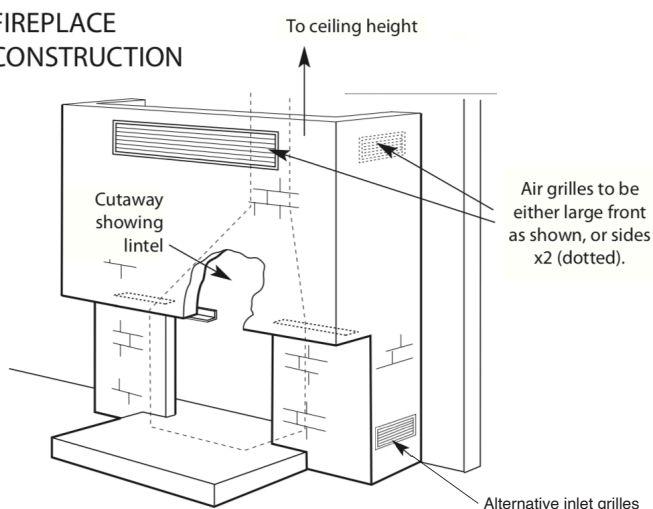
All dimensions are in millimetres



**SIDE VIEW**



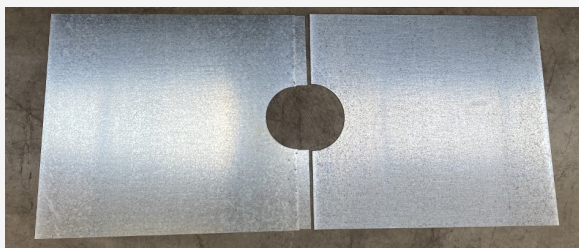
**FIREPLACE CONSTRUCTION**





## DEFLECTOR PLATE

9" CENTRE DEFLECTOR PLATE



ROCK WOOL BLANKET



- » Deflector to be galvanised metal sheet (1mm minimum) and installed a minimum 500mm below the ceiling
- » The rock wool blanket is to be heat resistant with aluminum foil adhered to one face and installed directly on top of the deflector plate with foil side face down.
- » Ensure the entire plate is tightly secured and sealed to all four edges of the internal cavity with no air gaps
- » Single skin starter flue with gussets is to be installed from the unit to beneath the deflector plate, then the triple skin starter flue (if partial masonry) or remaining single skin flue (if fully masonry) is to be installed above the plate

## AIR INLET AND OUTLET GRILLS



- » Ventilation grills consisting of one large grill in front or two smaller grills on either side of the cavity shall be fitted at the bottom of the enclosure for air intake & just below the deflector plate to allow for air outtake
- » All vent material must be non-combustible, metal vents are strongly recommended
- » The vents can be customised to suit the application as long as the minimum sizing is adhered to, refer to page 24 for minimum sizing
- » **Air Inlet Clearance:** Ensure there is nothing obstructing the front of the vent
- » **Air Outlet Clearance:** Allow a 600mm clearance in front and 500mm above the vent

## MINIMUM INBUILT FLUE COMPONENTS

### 4.5 METRE 9" PARTIAL MASONRY FLUE KIT



- 1 9" Flue Adaptor\*
- 2 9" Starter Flue With Gussets 900mm\*
- 3 9"-11"-13" Starter Triple Skin Flue 900mm\*
- 4 3 x 9"-11"-13" Triple Skin Flue 900mm\*
- 5 9"-13" Cover Cone
- 6 9" Anti Down Draught Cowl

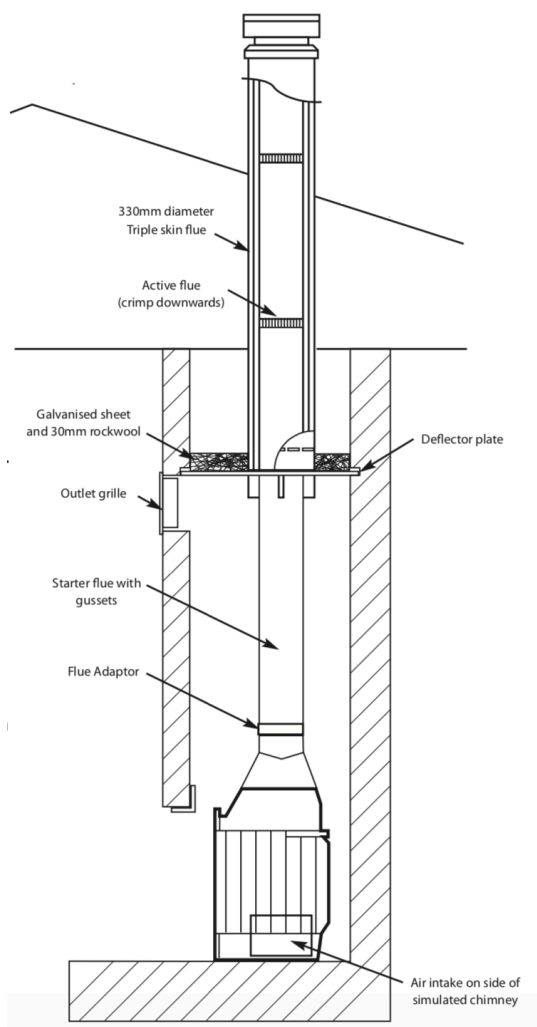
### 4.5 METRE 9" FULL MASONRY FLUE KIT



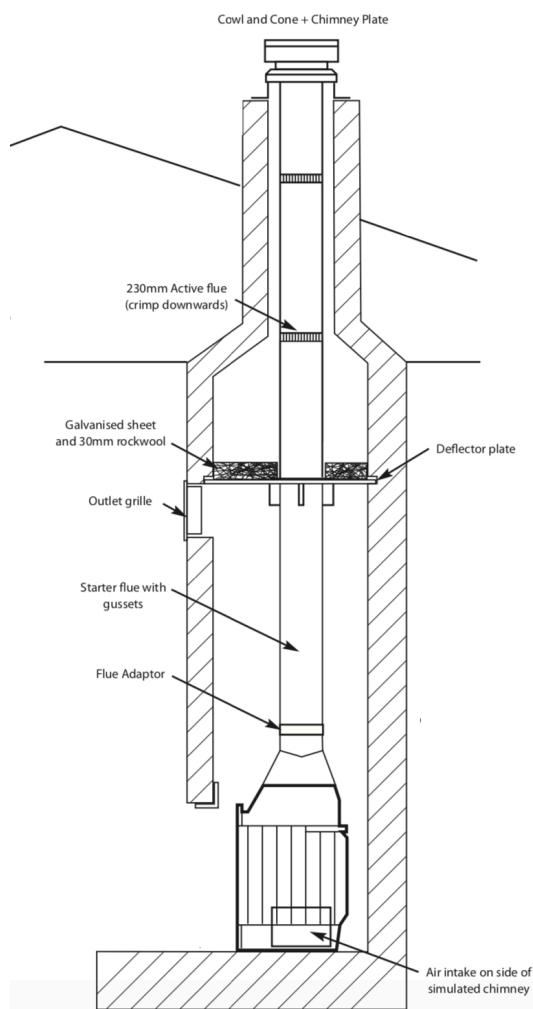
- 1 9" Flue Adaptor\*
- 2 9" Starter Flue With Gussets 900mm\*
- 3 4 x 9" Stainless Steel Flues 900mm
- 4 9"-13" Cover Cone
- 5 9" Anti Down Draught Cowl

\*All internal 9" flue must be stainless steel

### PARTIAL MASONRY INSTALL OVERVIEW



### FULL MASONRY INSTALL OVERVIEW



\*ALL ILLUSTRATIONS ON THIS PAGE REFERENCE A SINGLE SIDED MODEL ONLY

## **5. MECHANISMS & UNIT ASSEMBLY**

5.1 MECHANISM GUIDE

28

5.2 ASSEMBLY

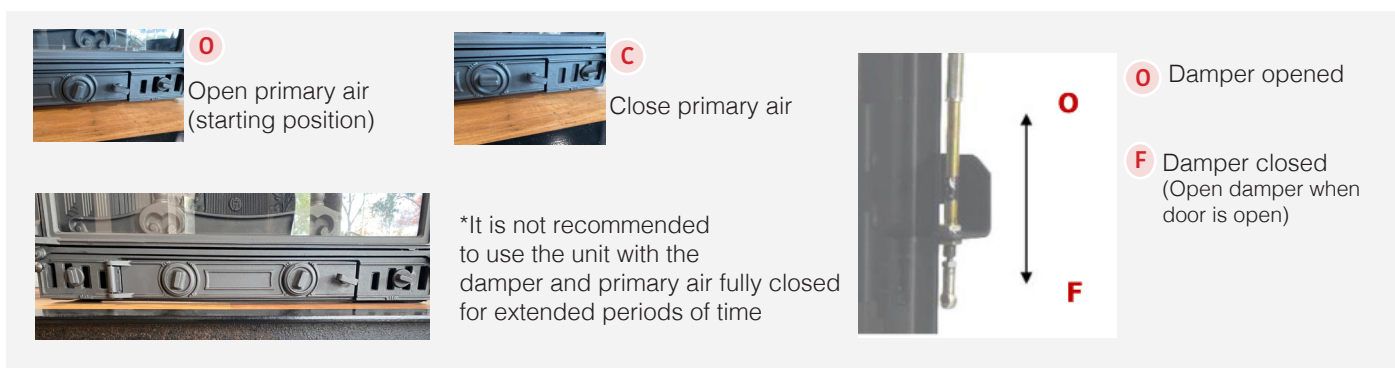
28-32

## LOCATION OF MECHANISMS

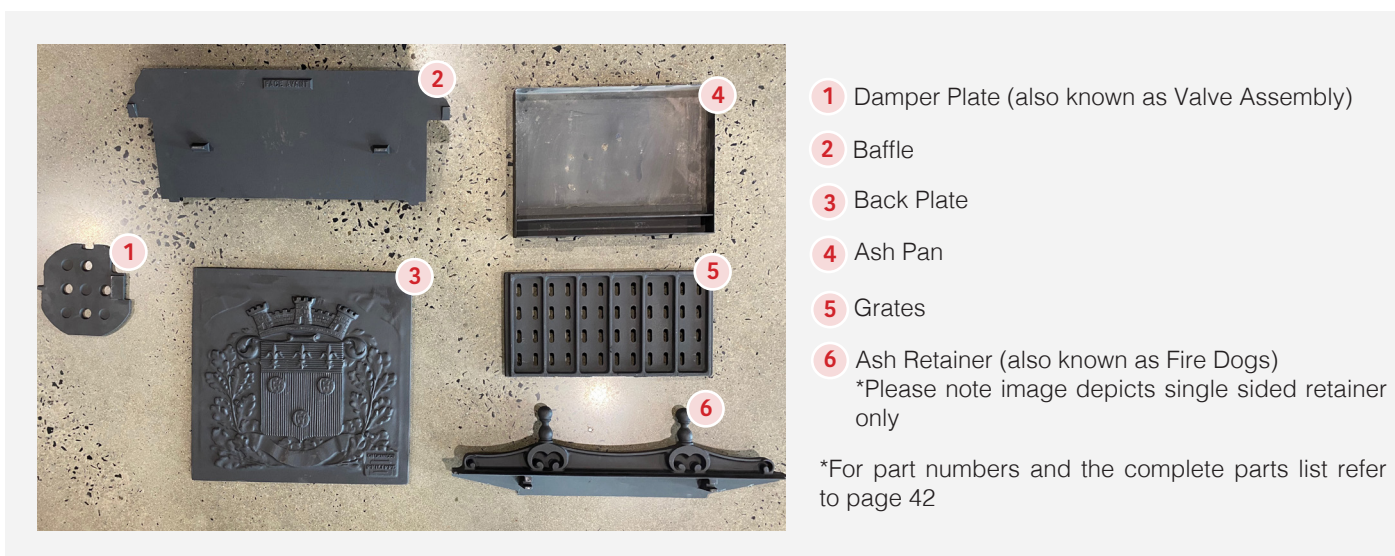


- 1 Swing & lift door with vitro-ceramic glass
- 2 Door handle
- 3 Primary air adjustment under grate
- 4 Damper control (use steel rod supplied to operate)
- 5 Additional air adjustment
- 6 Removable ash tray (open door to access)
- 7 Unlatch handles for lift door operation
- 8 Counterweight support mechanism

## PRIMARY AIR & DAMPER CONTROLS (OPEN & CLOSE)

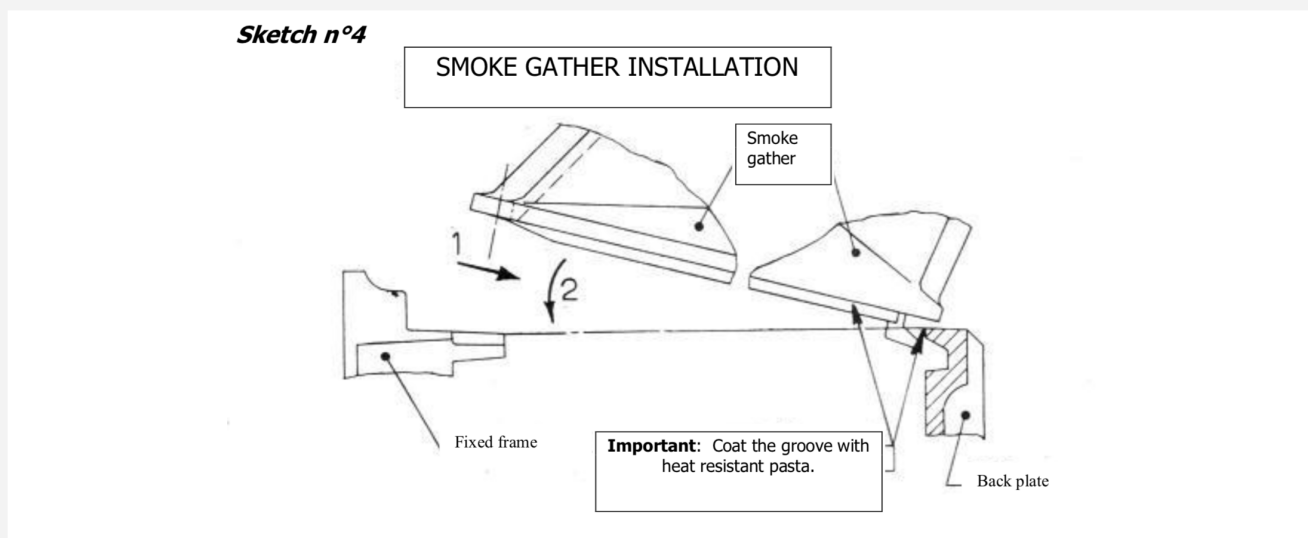


## PARTS



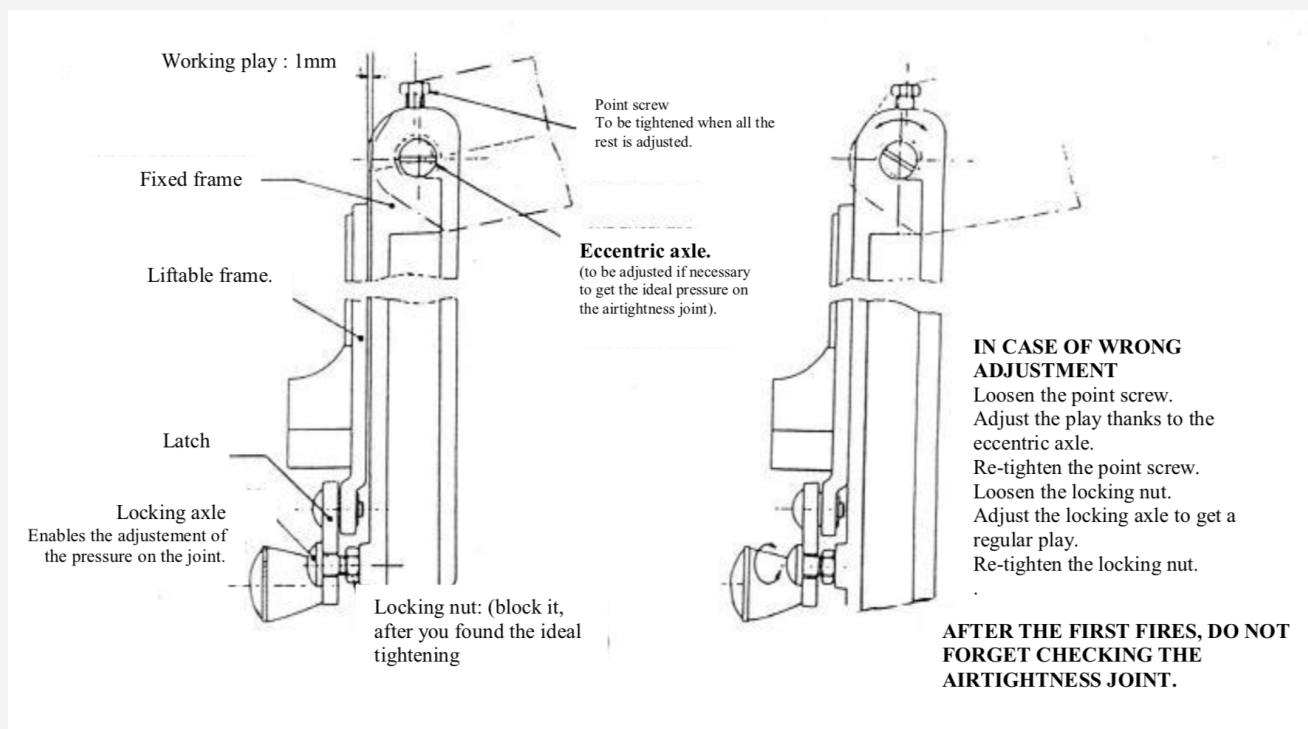
## STEP 1: GATHER ASSEMBLY

In the packaging you will find some parts of this unit not assembled, due to size of the firebox the final assembly must be done prior to the installation of the flue system.



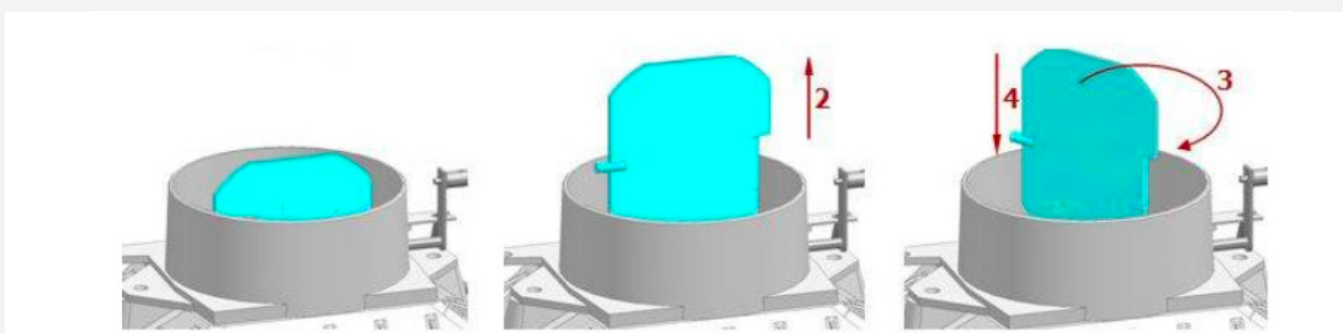
1. Coat around the top part of the base, including the grooves at the back with refractory cement (black can written ROC)
2. Position the gather on top
3. Fit and tighten the nuts & screws to secure the gather chamber & the base of the firebox together

## STEP 2: COUNTERWEIGHT ASSEMBLY



Before hooking the counterweight to the back, make sure that the latches at the bottom of the door are locked.

## STEP 3: DAMPER ASSEMBLY (INCLUDING FLEXIBLE ROD)



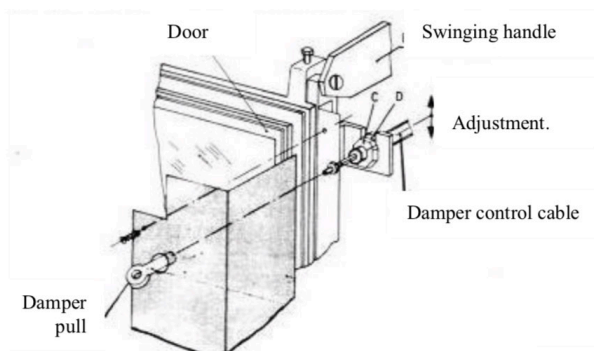
**THIS ASSEMBLY IS DONE PRIOR TO INSTALLING THE FLUE.**

**IT CAN ALSO BE REMOVED AND RE-ASSEMBLED FOR FLUE SWEEPING FROM INSIDE OF THE FIREBOX.**

**See instructions below:**

1. Before removing the damper, remove the baffle (take care to hold the decorative back plate of the unit to avoid it falling), then put the damper into the open (vertical) position.
2. Raise the damper following the arrow to disengage it from its brackets
3. Turn the damper towards the right hand side
4. Then lower it into the fire place

### ADJUSTEMENT OF THE DAMPER CONTROL



### OPTIONS FOR THE 3 WINDOWS OR 2 WINDOWS INSERTS.

The movement of the spindle handle has to be centred in the oblong of the grill when adjusting the damper control..

Adjustment:

- Loosen E or F,
- Make necessary adjustment,
- Re-tighten E and F.

A 2mm play from the borderline of the spindle handle to the grill has to be made.

Adjustment:

- Loosen G or H
- Make necessary adjustment,
- Re-tighten G and H.

N.B.: For adjustments, loosen the spindle handle and remove the side grille

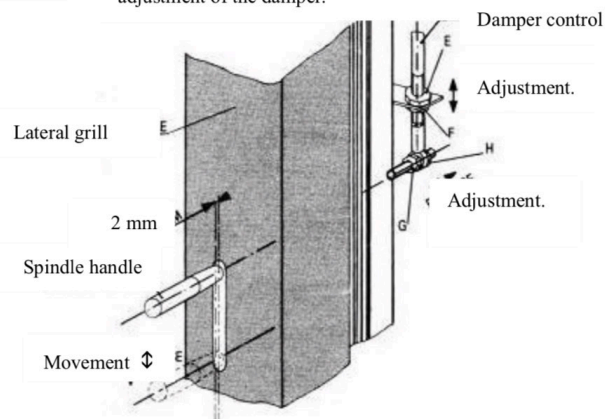
A good adjustment enables to centre the cable in the grille whole.

Adjustments:

- Loosen C or D,
- Make necessary adjustment,
- Re-tighten C and D.

NB: for the adjustments, loosen the damper pull and remove the lateral grille.

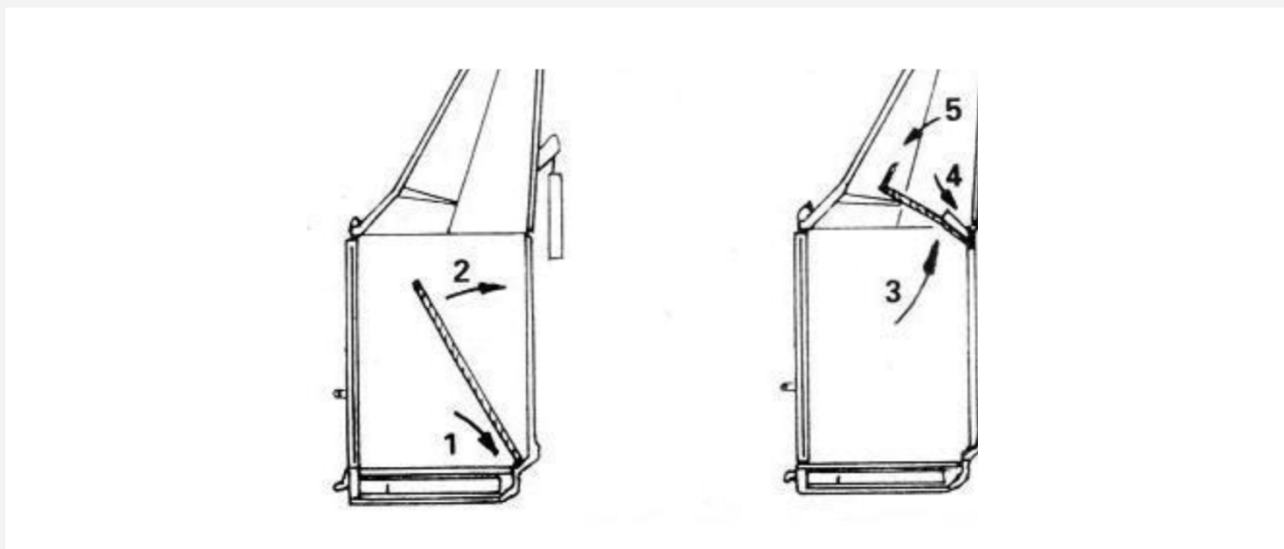
Tighten and loosen the damper pull, also enables an adjustment of the damper.



**IMPORTANT: Please make sure that every bolt is correctly tightened.**

**IMPORTANT: MAKE SURE THE BOLTS ARE CORRECTLY TIGHTENED. IF THE UNIT HAS A DAMPER CABLE THEN IT MUST MAKE REGULAR WIDE CURVES, AVOID BENDING IT AT ALL TIMES.**

## STEP 4: BACK PLATE, BAFFLE, GRATE, ASH RETAINER & ASH PAN



### ENSURE THE DAMPER IS FITTED FIRST

1. Place the decorative plate between the lugs on the top and base of the firebox
2. Insert the baffle plate towards the top of the firebox and rest it on the back and forward internal cleats
3. Insert the side ash retainer covers on the left and right of the firebox
4. Place the front ash retainer into position
5. Place the left and right grates into the base of the firebox
6. Insert the ash pan

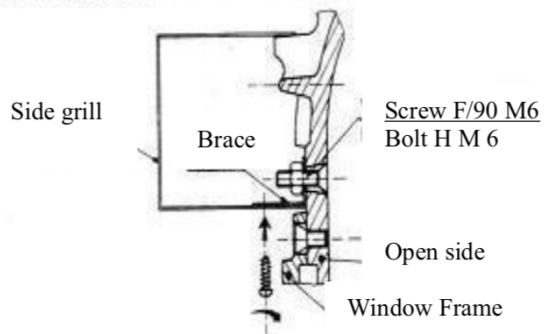
### IMPORTANT: ENSURE THE DECORATIVE PLATE IS CORRECTLY SUPPORTED BY THE BAFFLE.

For maintenance or replacing a part, please do the opposite of the instructions here, taking care to hold the decorative plate to avoid it falling down when installing the baffle



## INSTALLING THE MESH SIDES (FOR INBUILT INSTALLATION)

### FOR AN INSERT WITH 2 OR 3 WINDOWS



To be fixed to either side of the fuel loading door (maybe required when unit is installed inbuilt)



## **6. OPERATION**

6.1 BEFORE FIRST IGNITION	34
6.2 RECOMMENDED FIRE WOOD	35
6.3 HOW TO LIGHT & BURN SAFELY	36 & 37
6.4 WARNINGS LABELS	38

## BEFORE LIGHTING FOR THE FIRST TIME

---

- » For brick enclosures four weeks drying time should be respected to ensure that moisture evaporates accordingly
- » Once this period has passed, you can light your first fire, with a moderate amount of wood and a reduced opening of the air intake to limit the intensity of the fire, which will allow a progressive rise in temperature within the insert and other elements, to avoid rapid expansion of the materials and thermal shock
- » The first 10 fires should be small fires to finalise the drying process
- » During initial use there may be an odour (not harmful) from the unit caused by surplus paint curing. It is best to ensure adequate and good ventilation during this process. A few additional fires after the drying time may be required to remove this smell

## OPEN & CLOSED DOOR OPERATION

---

- » With the door open: When using the unit with the door open, it is necessary for the damper to be in the open position, to reduce the chances of smoke being blown back. It is NOT recommended to use the unit with the door open for prolonged and continuous periods of time.
- » Never leave the door open unsupervised
- » With the door closed: Opening the damper will ensure that smoke is not blown back out when refueling

## FUEL

---

- » The heat output from a *Cheminées Philippe* fireplace depends mainly on the fuel used
- » Burn hardwood only, refer to page 35 for recommended fire wood
- » Be prepared! It is impossible for a wood merchant to deliver you guaranteed seasoned dry firewood in the middle of a wet winter. The best way to dry wood is to split it and expose the inner core allowing the sun to dry the wood naturally and store your wood for at least 12 months before use
- » **Tip:** Cold wood does not burn as well, so bring your firewood indoors into the warmth a few days before use
- » Do not burn domestic waste, plastic (eg bottles) or plastic derivatives, rubber, oily products (eg oil soaked rags) etc which not only give off an unpleasant odour but will also pollute the environment and can cause hazardous combustion residues in the fireplace and flue which can be harmful to you, your environment and your fireplace

## RECOMMENDED FIRE WOOD

- » A well installed wood heater burning Australian hardwoods with a moisture range of 15% to 20% will burn more clean and effectively, giving off abundant heat to circulate around your home
- » Anything over 20% and your wood heater will not work efficiently. The energy from the fire will be used to reduce moisture in your wood and not produce heat for your house. It will also produce dangerous amounts of soot very quickly
- » Depending on the humidity of the wood, a 50cm log. 6cm diameter weighs around 1kg, 10cm weighs around 3 kg, 15cm weighs around 7 kg
- » For sustained heat, use large numbers of small logs (eg 6 to 8 logs of 6cm in diameter on a good bed of embers).
- » For a longer lasting fire, use larger diameter logs (eg 3 logs of 13 to 15 cm diameter on a medium bed of embers).
- » **NEVER LOAD MORE THAN 14kg OF WOOD**

MOISTURE CONTENT	OUTCOME
BELOW 15%	Wood very dry and may burn too fast
15%-20%	Wood burns efficiently and economically
20%-25%	Wood burns, but less efficiently than drier option
ABOVE 25%	Wood too wet to burn safely and efficiently

AUSTRALIAN HARDWOOD	% HEAT PER UNIT VOL.	SPLITTING	COALS
GREY BOX	100	Difficult	Many
RED IRON BARK	97	Difficult	Excellent
RED BOX	91	Difficult	Excellent
YELLOW BOX	91	Difficult	Excellent
RED GUM	80	Difficult	Excellent
BLUE GUM	80	Fair	Good
STRINGY BARK	72	Good	Good
NARROW LEAF	72	Good	Good
PEPPERMINT	68	Good	Good
PINE	45	Fair	Poor

## MATERIALS REQUIRED

---

- » Fire lighters
- » Kindling
- » Well seasoned, split hardwood
- » A lighter or match sticks

## BEFORE STARTING

---

- » Ensure the damper, primary and secondary air inlets are fully open
- » Before loading, remove any larger pieces of debris from the previous fire. It is recommended to leave a bed of ash inside the fireplace and to never clean it out completely during the colder months
- » Avoid overloading the unit, wood should only be burnt on the grate itself

## LIGHTING OPTION A: TOP DOWN METHOD (RECOMMENDED FOR BEGINNERS)

---



### STEPS

1. Place two layers of cut hardwood in a cross section on top of the fireplace grate. The first layer should be the largest pieces, positioned front to back. The second pieces should be slightly smaller in size and positioned side to side
2. Then follow the same cross section method for the kindling
3. Firestarters should then be evenly positioned between the two layers of kindling on the back, middle and front of the kindling
4. Once the kindling has caught properly close the door and wait for the first hardwood log to light before adjusting the primary and secondary air vents accordingly

## LIGHTING OPTION B: TRADITIONAL METHOD

---



### STEPS

1. Place two layers of kindling in a cross section on top of the fireplace grate. The first layer should be positioned front to back. The second layer the pieces should be positioned side to side
2. Place 2-3 pieces of cut hardwood over the kindling to form a pyramid
3. Firestarters should then be evenly positioned between the two layers of kindling on the back, middle and front
4. Once the kindling and hard wood has caught properly close the door adjust the primary and secondary air vents accordingly

## USING YOUR CHEMINÉES PHILIPPE SAFELY & EXTENDING LONGEVITY OF THE UNIT & PARTS

---

- » To ensure maximum performance for your fireplace, it is necessary to keep a close eye on it. It is recommended that refueling is carried out several times rather than overloading the unit
- » Each time more fuel is added ensure a lively fire burns for a short time, so that condensation, which generally forms when fuel is first placed in the fire is evacuated
- » Always have two pieces of wood burning off each other as one log on its own will struggle to stay alight. Therefore for it is important to establish hot coals and a lazy flame for good heat output
- » Using the fireplace for a long time at a very slow burn rate with vents and damper fully closed is not recommended, especially at the start and end of winter and when the temperature rises as this can cause deposits of soot and tar on the window and in the flue
- » Do not use the fireplace with the door and air inlets entirely open at the same time, as well as having an excessive load of wood. This will produce extremely high temperatures inside of the firebox which is likely to damage the cast iron elements of the unit, the connections and the flue
- » Carefully load fire wood into the unit, do not throw or forcefully pack firewood into the unit when reloading. This has the potential to fracture and damage the grate, back and side plates, glass, fire log retainers and over all cast iron internal elements

## WARNINGS

---

- » Never throw water onto the fire to put it out
- » The window pane(s) can reach high temperatures by releasing radiated heat; we advise you not to place sensitive objects within 1500mm proximity
- » Due to extreme temperatures when the unit is lit, ensure adult supervision around young children
- » If your fireplace is equipped with wood storage areas, ensure that they are not obstructed (eg by a door, or by overloading with wood etc) so that air can flow freely. Additionally, do not store easily flammable materials there (eg paper, matches)
- » Caution: in the event of a chimney fire, close the air inlets, close the fireplace door and call the fire brigade

**WARNING: ANY MODIFICATION OF THE APPLIANCE THAT HAS NOT BEEN APPROVED IN WRITING BY THE TESTING AUTHORITY IS CONSIDERED AS BREACHING AS/NZS 4013.**

**WARNING: DO NOT USE FLAMMABLE LIQUIDS OR AEROSOLS TO START OR REKINDLE THE FIRE.**

**WARNING: DO NOT USE FLAMMABLE LIQUIDS OR AEROSOLS IN THE VICINITY OF THIS APPLIANCE WHEN IT'S OPERATING.**

**WARNING: DO NOT STORE FUEL WITHIN HEATER INSTALLATION CLEARANCES.**

**WARNING: WHEN OPERATING THIS APPLIANCE AS AN OPEN FIRE, USE A FIRE SCREEN.**

**WARNING: OPEN AIR CONTROLS AND DAMPER WHEN FITTED BEFORE OPENING FIRING DOOR.**

**WARNING: DO NOT BURN WOOD THAT IS PAINTED; OR IS COATED WITH PLASTIC; OR HAS BEEN TREATED WITH ANY CHEMICAL**

**CAUTION: DO NOT OPERATE THIS APPLIANCE IF GLASS IS CRACKED OR BROKEN.**

**CAUTION: THIS APPLIANCE SHOULD BE MAINTAINED AND OPERATED AT ALL TIMES IN ACCORDANCE WITH THESE INSTRUCTIONS.**

## **7. MAINTENANCE**

7.1 SERVICING GUIDE

40

7.2 TROUBLE SHOOTING

41

7.3 SPARE PARTS

42

## SERVICE & ONGOING MAINTENANCE

- » The fireplace should be cleaned twice a year by a professional, including once during the heating period (winter) to ensure the unit and flue are in good order. The various parts of the unit should be checked, including all door ropes and seals, baffle plate, glass, etc, as it may be necessary to replace these
- » If there are any defects, you must not use the fireplace. Repair or replacement must be carried out before reuse. Ensure that the fitting is carried out by a professional
- » Once the heating period is over, clean all the internal cast iron elements, scrape off any soot or tar and brush down all the parts. To facilitate this task, take out all removable parts, (grates, firedog, baffle deflector etc). Reassemble all items, including the damper before reuse
- » After this cleaning, rub all cast iron elements with a suitable *Cheminées Philippe* touch up paint to protect the unit (carry out as often as necessary)
- » Sporadic use perpetuates condensation, which accelerates oxidation. During this period leave air inlets open to allow for circulation of air. Pay particular attention to this in fireplaces which are not used for a continuous period (eg holiday homes) and in coastal areas where the unit and flue are more susceptible to salted air
- » For units equipped with a perforated grille on the outside, clean this with a vacuum cleaner to avoid the build up of dust in the perforations which would reduce convection air circulation
- » Regularly empty the ash box to avoid an accumulation of ash which could obstruct and damage the grates. Ashes should be cold and placed in a non-combustible container with a tightly fitting lid and moved outdoors immediately to a location clear of combustible material
- » For equipment with brass accessories or façade, varying degrees of discolouration may occur according to the temperature when in use. When the fireplace is not being used, brass can tarnish through natural oxidation. For this reason, it is necessary to regularly maintain these parts using a copper or brass cleaning product. Avoid staining the brass with the glass cleaning product
- » Clean the glass panel when the window is cold by spraying it with a glass cleaner (**AVOID** spraying onto any cast iron elements) or as an alternative, use a piece of newspaper dabbed in warm water and then dipped in the ash. Do not use any abrasive cleaning materials on the glass, ie steel wool, abraive cloths, etc



We recommend to use RUCO glass cleaner. An Australian-made fast-acting formula, that removes soot and creosote from wood heater glass doors.

Simply spray onto the glass window (ensure the glass is cold), wait thirty seconds to a minute and wipe off with a paper towel or newspaper. For particularly baked on creosote, repeat process.

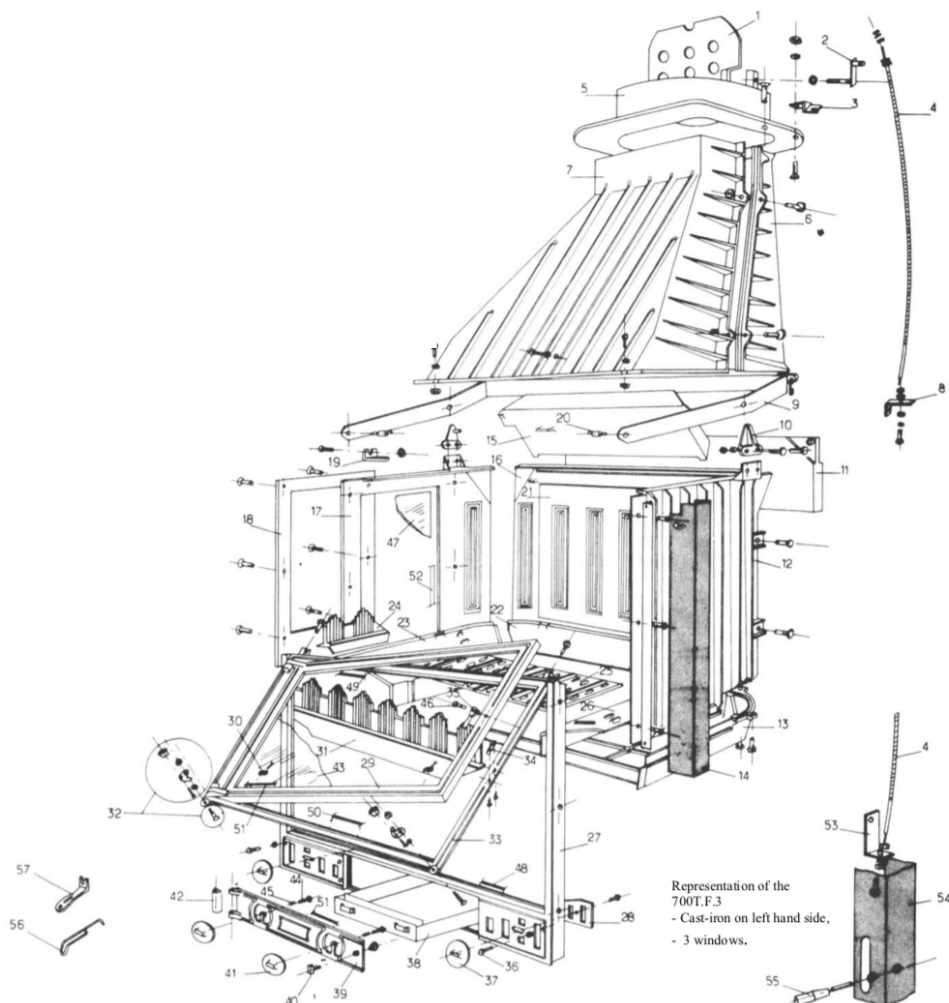
**\*Reminder to AVOID spraying the cast iron elements**



OBSERVATION	POTENTIAL SOLUTION
Downdraft; Smoke billowing out of glass	<ul style="list-style-type: none"> <li>- Ensure damper and all air inlets are in the open position several minutes before opening the door</li> <li>- Check there is sufficient fresh air intake into the room (open a door or window to check)</li> <li>- Ensure the flue is cleared of any creosote build up, engage a professional service if required</li> <li>- Using a moisture meter check the moisture content of the wood, refer to pages 34 &amp; 35</li> <li>- Ensure there are no mechanically operated fans or extractors being used that are in the same vicinity as the fireplace</li> <li>- There may not be enough draw, an extra length of flue is highly recommended and/or fit appropriate cowl</li> <li>- The flue is poorly insulated and the cold outdoor temperatures are causing low flue gas temperatures</li> <li>- Have your fireplace checked by an authorised service agent</li> </ul>
Lack of heat; The fire smoulders or goes out	<ul style="list-style-type: none"> <li>- Try and light your fire using cut or smaller pieces of wood</li> <li>- Ensure there is enough fresh air in the room, refer to page 6</li> <li>- Lack of oxygen in the firebox, ensure inlets are open</li> <li>- Using a moisture meter check the moisture content of the wood, refer to pages 34 &amp; 35</li> </ul>
Good fire burning, but low heat output	<ul style="list-style-type: none"> <li>- Ensure glass door is closed when burning</li> <li>- Check that the unit is sufficiently airtight, refer to page 28 for location of adjustments</li> <li>- Ensure the right wood is being used, refer to pages 33- 35</li> </ul>
The window becomes dirty very quickly	<ul style="list-style-type: none"> <li>- Using a moisture meter check the moisture content of the wood, refer to pages 34 &amp; 35</li> <li>- Avoid too many long, slow burning fires</li> <li>- Check the secondary air in-take is not blocked</li> </ul>

## PARTS LIST

- » When requesting spare parts or information, please note the serial number which can be found on the identification plate on the base of the unit on the base of the ash pan chamber
- » Only use spare parts, in particular the replacement of glass should only be sourced and supplied by *Cheminées Philippe Australia*
- » Please refer to common parts list on page 29, for all other parts refer to diagram below



1	Check valve *	705.3488	19	FG barbecue leg	700.61TF	37	Lateral register button	700.32NM
2	Joint mechanism *	3266 C	20	Eccentric upper pierced	3040 C	38	Ash tray *	3571
	- valve control *	620.66 A	21	Decor plate line with logo *	700.47TF	39	Ashtray front	700.5TF
	- articulation tip *	3971	22	Central corridor *	700.51TF	40	Lock button	3459.2
3	Cable tie	4470 D	23	Left side corridor *	700.50TF	41	Ashtray button	700.6NM
4	Flap control pull *	3472	24	Chenet side * right left	700.58TF 700.59TF	42	Hinge	700.60TF
5	Round outlet Ø230	705.3268A	25	Half oven grill *	700.3477B	43	Front glass 660x457x4	-
6	Rear drain (half)	705.3384	26	Right side corridor *	700.48TF	44	Axis button register	3572B
7	Front diverter (half)	705.3383	27	Counter frame	700.9NM2	45	Spring	3573A
8	Clapper fastener	3466	28	Right lateral register left	700.30NM 700.31NM	46	Bolt joint axis	3010 E
9	Swinging arm	3471	29	Door	700.3NM	47	Side side window 461x204x4	-
10	Swingarm fastener	700.54TF	30	Clame of window	3021R	48	Fixed seal glass braid Ø8 gray ( en )	
11	Against weight	700.49TF	31	Chenet facade FD, FG, 3V standard	700.57TFA 700.56TFA	49	Ceramic braid frame gasket Ø8 type V ( en - )	
12	Right lateral side left	700.44TF 700.45TF	32	Right latch left	700.15NM 70 0.14NM	50	Lifting frame gasket ceramic Ø8 type V (U-shaped)	
13	Socket	700.41TF		- Bakelite button	1357	51	Ashtray and facade glass seal : glass braid Ø8 gray ( en )	
14	Perforated right side grid + square	3599AC		- blind nut EB5.Zn		52	Side window seal : adhesive joint width 20mm ( in )	
	Left side grid pierced + square	3599A		- articulation screws	3119	53	Control tab flap	3476
15	Lower part deflector	700.67TFA	33	Lifting frame	700.4NM2	54	Right side grid FG 3V + square	3470
16	Fixed background	700.46TF	34	Spoils	700.7NM	55	Bakelite button	2558
17	Side open right left	700.42TF 700.43TF	35	Bolt	700.8NM	56	Cold hand steel wire	3859
18	Lateral frame	700.53TF	36	Axis locking latch	3020B	57	Cold hand	1000.33

## **8. WARRANTY**

8.1 WARRANTY POLICY & EXTENDED WARRANTY

44

8.2 INSTALLER CHECKLIST FORM

45

## WARRANTY

- » The installation guarantee is effective within a framework of compliance with the code of practice, the legislation in force, the installation instructions and the correct use of this fireplace
- » The warranty period begins when the unit has left the warehouse of *Cheminées Philippe Australia*
- » Care will need to be taken with implementation of the various components and connections, the materials used around the fireplace, as well as compliance and conformity with this manual alongside the requirements of AS/NZS 2918:2018
- » This document does not claim to cover all eventualities, or to cover the entirety of the prescriptive legal documentation and does not render exempt the necessity of consulting the latter
- » All weights and dimensions will vary according to the unit model and technical requirements. In order to constantly improve manufacture, we reserve the right to modify our equipment without prior notification
- » *Cheminées Philippe Australia* is free of liability for any damages caused by the replacement of the appliance or its parts, as well as inconvenience expenses, materials to reconstitute the fireplace and/or any delivery costs involved. Incidental or consequential damages are not covered by this warranty
- » All our warranty periods as outlined below are provided on the basis that there is strict compliance with the installation, use and maintenance guide as specified in this manual
- » All parts that come in contact with high temperatures may become deformed by general wear and tear and are therefore guaranteed for one year (as per the table below)
- » \*\*The window panes can resist temperatures of around 750°. So any breakage can only be caused by impact during use or handling and cannot be exchanged under the terms of the warranty
- » Our fireplaces are specially designed so that parts can be replaced during routine maintenance
- » Warranty does not cover damages originating from incorrect installation, atmospheric conditions including chemical contamination and geographical location, or over firing of the firebox to extremely high temperatures. These factors can contribute to warping, oxidisation, bubbling, discolouration, cracking and/or paint peeling of the firebox and components
- » If the unit is installed outside then any damages sustained by natural elements (rain, sun, salt air, etc) are not covered under warranty
- » This warranty does not cover rusting of any of the cast iron components
- » The warranty is non-transferable and stays with the original purchaser, therefore it cannot transfer to a different owner

COMPONENT PARTS	STANDARD WARRANTY	EXTENDED WARRANTY*
Firebox Only	5 Years	<b>+5 Years Total:10 Years</b>
Elevating Door Mechanism & Door Frame	2 Years	
Decorative Back Plates + Sides	1 Year	
Fire Grates	1 Year	
Refractory Elements	1 Year	
Baffles + Dampers	1 Year	
Ashtrays + Ash Retainers	1 Year	
Firedogs + Support Logs	1 Year	
Damper Cables & Sprindle	1 Year	
Ceramic Bricks	1 Year	
All Glass**	None	

**Extended Warranty:** A five year limited manufacturers warranty is given to all *Cheminées Philippe* fireboxes only and can be extended to 10 years if the above requirements have been adhered to and a product registration form has been sent to us within 14 days of installation. This can be done online at <https://chemphilaust.com.au/product-registration/>

**In the event of a claim, you must email a copy of your invoice and the installer checklist with the Compliance Certificate, and photos of your fireplace to [sales@wignells.com.au](mailto:sales@wignells.com.au)**

(IT IS MANDATORY TO COMPLETE THIS FORM FOR WARRANTY PURPOSES)

DATE OF INSTALLATION:

Tick

1	Installation of the unit & flue conform to this manual & AS/NZS 2918:2018	
2	All safety clearances and minimum hearth sizes have been abided by	
3	All components (including back & baffle plate) have been fitted correctly	
4	A test fire has been lit and the unit draws effectively	
5	All packaging including any flammable material has been removed	
6	The user has been shown the Mechanisms, Operation & Maintenance guide	
7	The user has been advised to cure the firebox initially with 10 small fires	
8	This manual has been left with the owners of this fireplace	
9	A Certificate of Compliance has been given to the owner	

FIRST & LAST NAME OF INSTALLER:

COMPANY NAME (IF APPLICABLE)

CONTACT NUMBER

COMPLIANCE CERTIFICATE #

SERIAL NUMBER OF UNIT (located inside the base of the ashpan chamber)

Email [sales@wignells.com.au](mailto:sales@wignells.com.au) a copy of this page along with your Compliance Certificate

**CHEMINÉES PHILIPPE AUSTRALIA**

For more information contact your nearest dealer  
or visit [www.chemphilaust.com.au](http://www.chemphilaust.com.au)